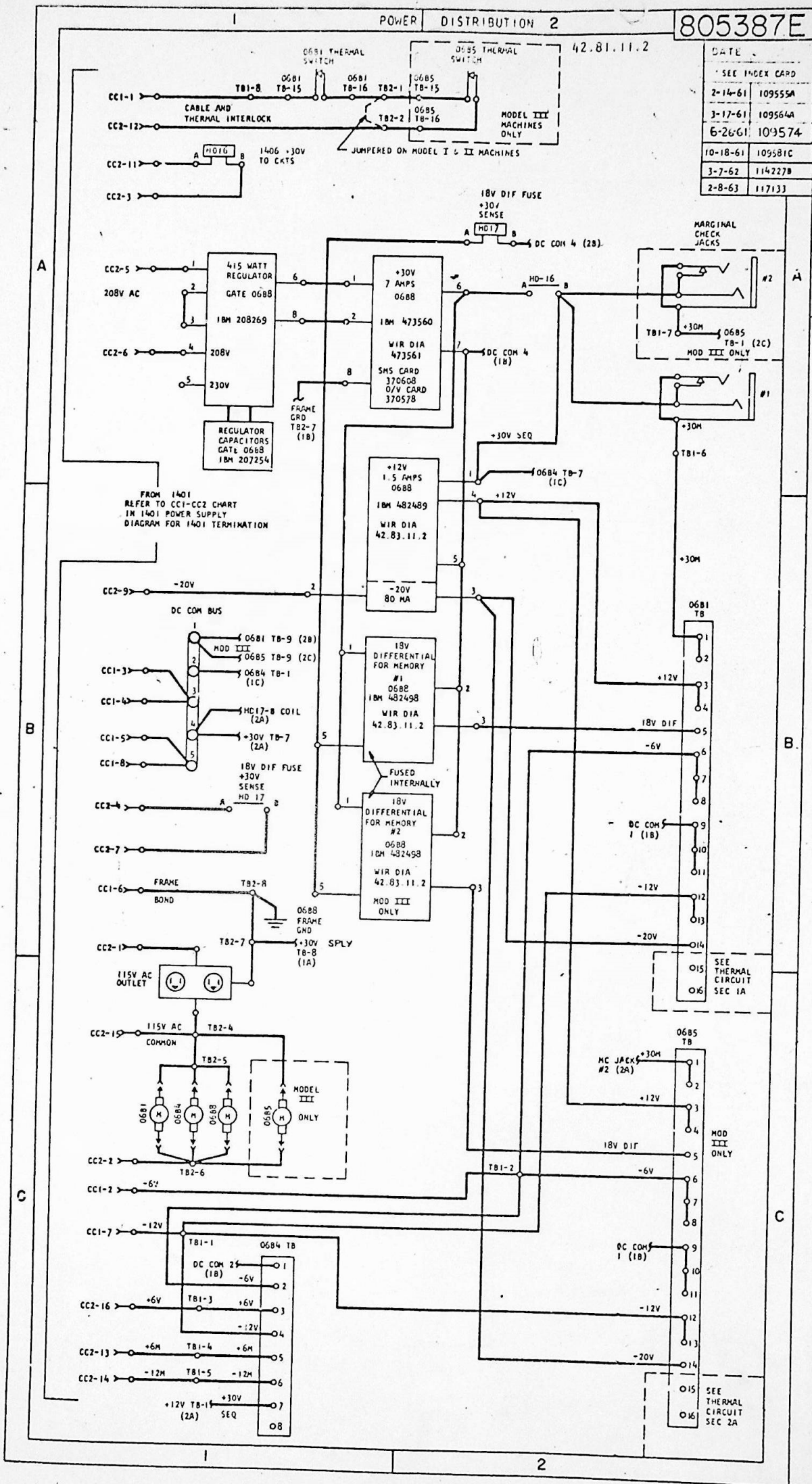


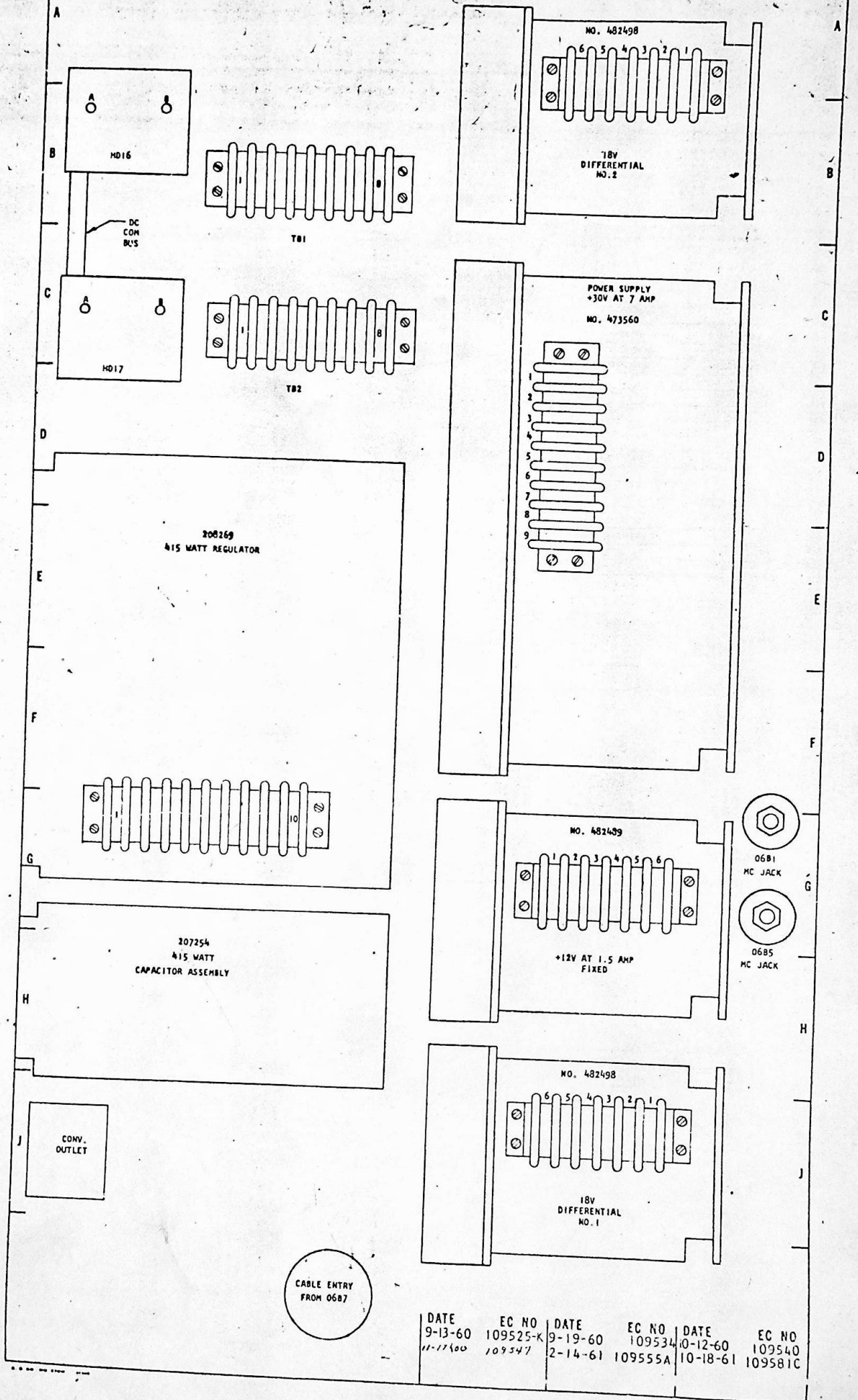
POWER DISTRIBUTION 2

805387E

42.81.11.2

DATE	
SEE INDEX CARD	
2-14-61	109555A
3-17-61	109564A
6-26-61	109574
10-18-61	109581C
3-7-62	114227B
2-8-63	117133





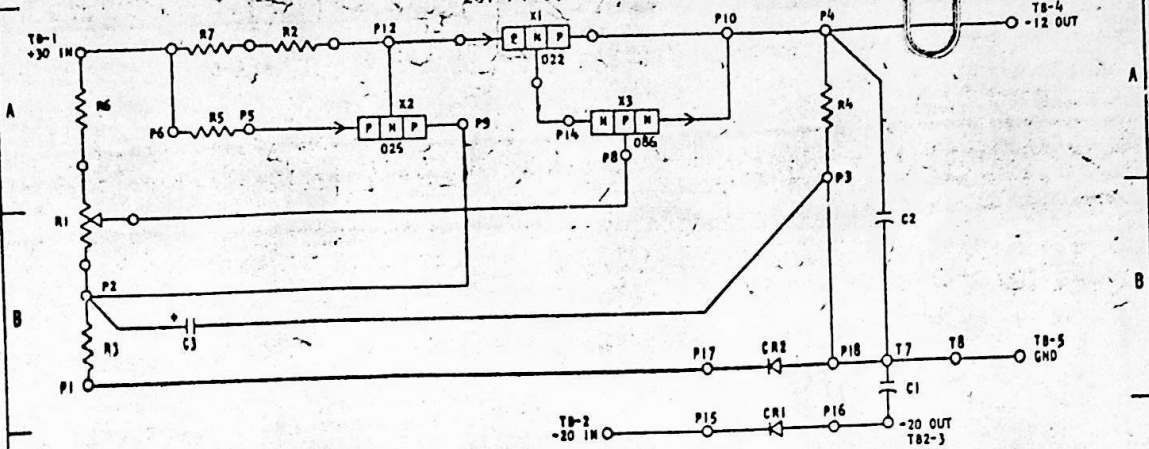
DATE	EC NO	DATE	EC NO	DATE	EC NO
9-13-60	109525-K	9-19-60	109534	10-12-60	109540
11-17-60	109547	2-14-61	109555A	10-18-61	109581C

805372B

WIRING DIAGRAMS-1406-12 VOLT POWER SUPPLIES

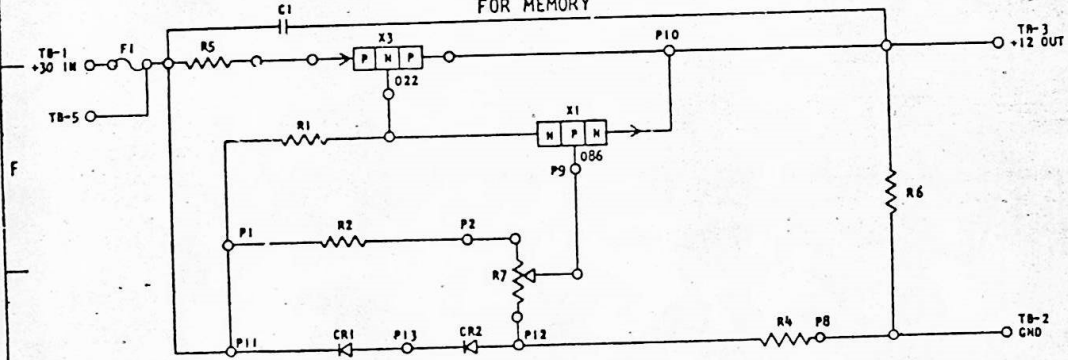
42.83.11.2

POWER SUPPLY NO 482489
 +12V AT 1.5 AMP
 -20V AT 80 MILS FILTERED



COMPONENT CHART		
CODE	DESCRIPTION	PART NO
C1	CAP 1000MF 25VDC	482490
C2	CAP 600MF 25VDC	207362
CR1	DIODE	257800
CR2	DIODE	209002
R1	POT .25K .5W	207340
R2	RESISTOR .005K 25W	501550
R3	RESISTOR 1K .5W	213536
R4	RESISTOR .12K 2W	317078
R5	RESISTOR 5.6K .5W	317430
R6	RESISTOR 1.6K .5W	317018
R7	RESISTOR .005K 25W	501550
X1	TRANSISTOR 022	526898
X2	TRANSISTOR 026	369652
X3	TRANSISTOR 086	369654
C3	CAP 1 MF 15V DC	492618

POWER SUPPLY
 18V DIFFERENTIAL VOLTAGE
 FOR MEMORY



COMPONENT CHART		
CODE	DESCRIPTION	PART NO
C1	CAP 0.01 MF	357993
CR1	DIODE	209002
CR2	DIODE	209002
F1	FUSE .75A	111255
R1	RESISTOR 1K .5W	213693
R2	RESISTOR 1.5K .5W	317017
R4	RESISTOR .51K .5W	317012
R5	RESISTOR .015K 10W	482499
R6	RESISTOR .030K 10W	482383
R7	POT .5K .5W	207393
X1	TRANSISTOR 086	369654
X3	TRANSISTOR 022	526893

DATE	EC NO	DATE	EC NO	DATE	EC NO
9-13-60	109525-K	2-8-63	117133		
11-11-60	109546				
1-22-63	116793				

WIRING DIAGRAM (POWER SUPPLY INDEX)

FR CH	LOGIC #	LOGIC	NAME	PART #	E C #
06 88	42 81.11.2	1406	POWER DISTRIBUTION	805387E	117133
06 88	42 82.11.2	1406	POWER SUPPLY GATE LAYOUT	805388A	109581C
06 88	42 83.11.2		WIRING DIAGRAMS-1406-12 VLT PWR SUPP.	805372B	117133

DATE	CHANGE NO
11-17-60	109547
2-14-61	109555A
3-17-61	109561A
5-26-61	109574
10-18-61	109531C
3-7-62	114227B
1-22-63	116793
2-8-63	117133

A

A

B

B

C

C

LOGIC INDEX

42.80.11.2

805389F

WIRING DIAGRAM (POWER SUPPLY INDEX)

FR CH	LOGIC #	LOGIC	NAME	PART #	E C #
06 BB	42.81.11.2	1406	POWER DISTRIBUTION	805387E	117133
06 BS	42.82.11.2	1406	POWER SUPPLY GATE LAYOUT	805388A	109581C
06 BR	42.83.11.2	1406	WIRING DIAGRAMS-1406-12 VLT PWR SUPP	805372D	117133

DATE	CHANGES
	SEE INDEX CARD
11-17-60	109547
2-14-61	109555A
3-17-61	109564A
5-26-61	109574
10-18-61	109531C
3-7-62	114227B
1-22-63	116793
2-8-63	117133

A

A

B

B

C

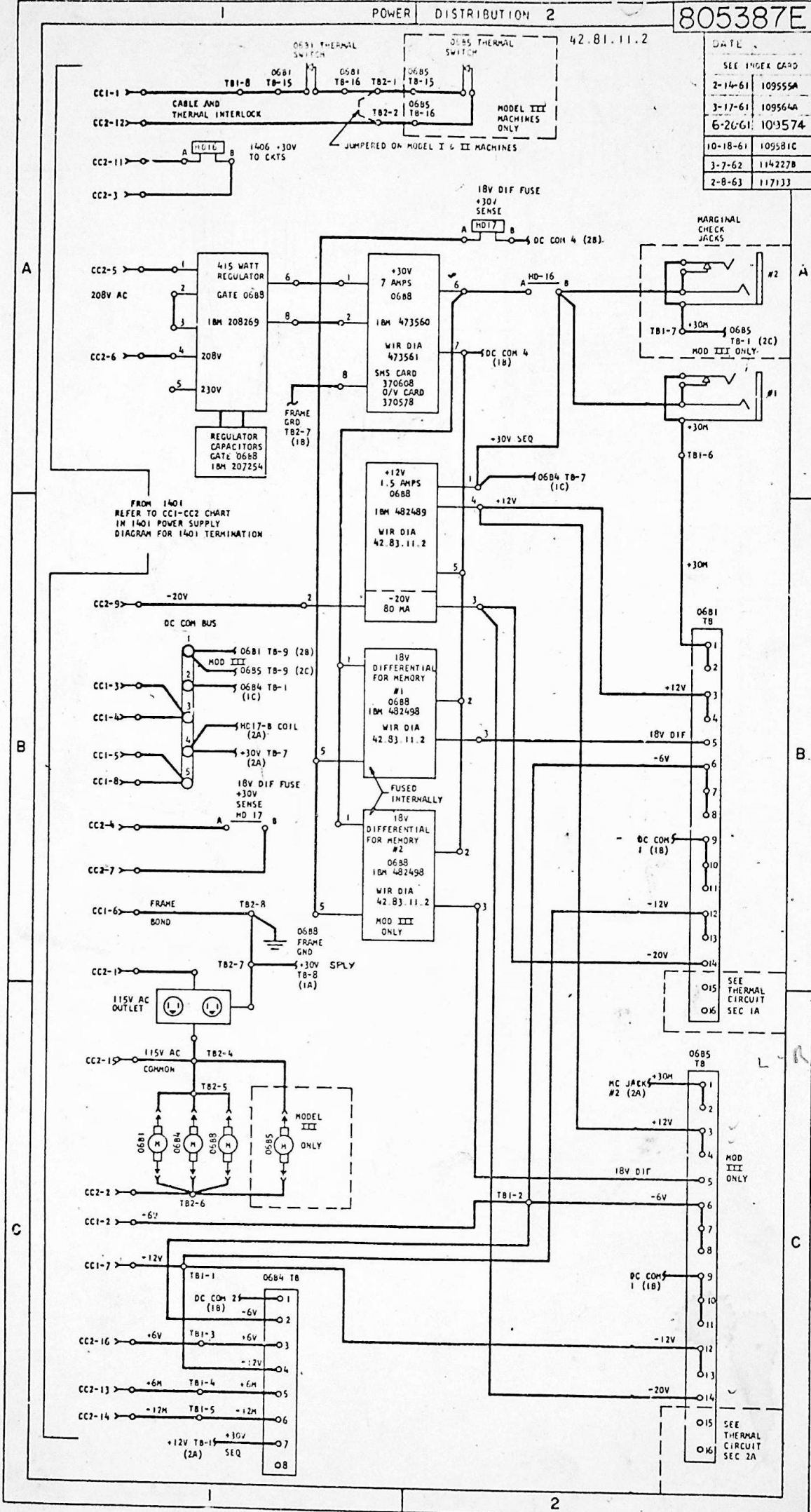
C

POWER DISTRIBUTION 2

805387E

42.81.11.2

DATE	
SEE INDEX CARD	
2-14-61	109555A
3-17-61	109564A
6-26-61	109574
10-18-61	109581C
3-7-62	114227B
2-8-63	117133



A

B

C

A

B

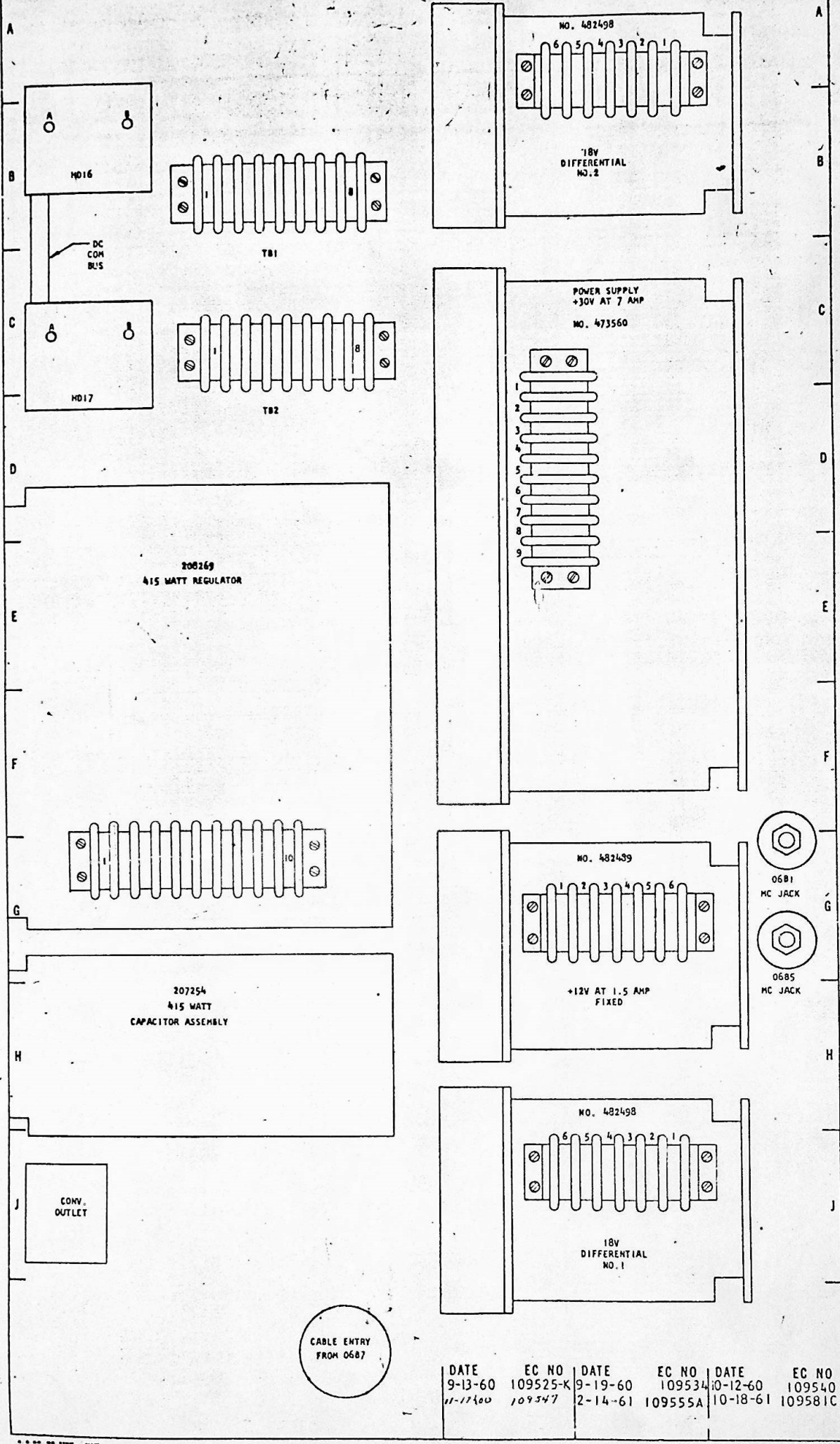
C

FROM 1401
REFER TO CC1-CC2 CHART
IN 1401 POWER SUPPLY
DIAGRAM FOR 1401 TERMINATION

MARGINAL
CHECK
JACKS

SEE
THERMAL
CIRCUIT
SEC 1A

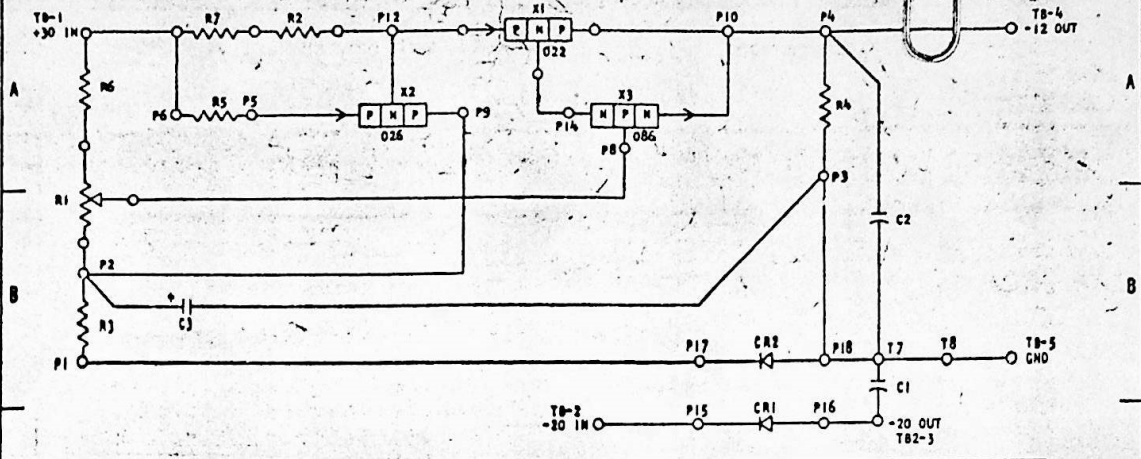
SEE
THERMAL
CIRCUIT
SEC 2A



CABLE ENTRY
FROM 0687

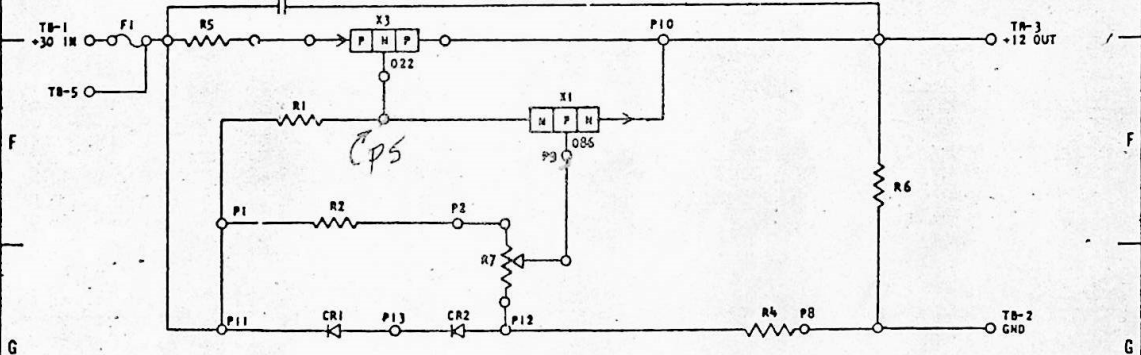
DATE	EC NO	DATE	EC NO	DATE	EC NO
9-13-60	109525-K	9-19-60	109534	10-12-60	109540
11-17-60	109547	2-14-61	109555A	10-18-61	109581C

POWER SUPPLY NO 482489
 +12V AT 1.5 AMP
 -20V AT 80 MILS FILTERED



COMPONENT CHART		
CODE	DESCRIPTION	PART NO
C1	CAP 1000MF 25VDC	482490
C2	CAP 600MF 25VDC	207362
CR1	DIODE	257500
CR2	DIODE	209002
R1	POT .25K .5W	207340
R2	RESISTOR .005K 25W	501550
R3	RESISTOR 1K .5W	213536
R4	RESISTOR .12K 2W	317078
R5	RESISTOR 5.6K .5W	317430
R6	RESISTOR 1.6K .5W	317018
R7	RESISTOR .005K 25W	501550
X1	TRANSISTOR 022	526898
X2	TRANSISTOR 026	369652
X3	TRANSISTOR 086	369654
C3	CAP 1 MF 15V DC	492618

POWER SUPPLY
 18V DIFFERENTIAL VOLTAGE
 FOR MEMORY



COMPONENT CHART		
CODE	DESCRIPTION	PART NO
C1	CAP 0.01 MF	357993
CR1	DIODE	209002
CR2	DIODE	209002
F1	FUSE .75A	111255
R1	RESISTOR 1K .5W	213693
R2	RESISTOR 1.5K .5W	317017
R4	RESISTOR .51K .5W	317012
R5	RESISTOR .015K 10W	482499
R6	RESISTOR .030K 10W	482483
R7	POT .5K .5W	207393
X1	TRANSISTOR 086	369654
X3	TRANSISTOR 022	526898

DATE	EC NO	DATE	EC NO	DATE	EC NO
9-13-60	109525-K	2-8-63	117133		
11-11-60	109546				
1-22-63	116793				

LOGIC #
99.99.99.0

MACH
1401

STAGE II

PART #
723163

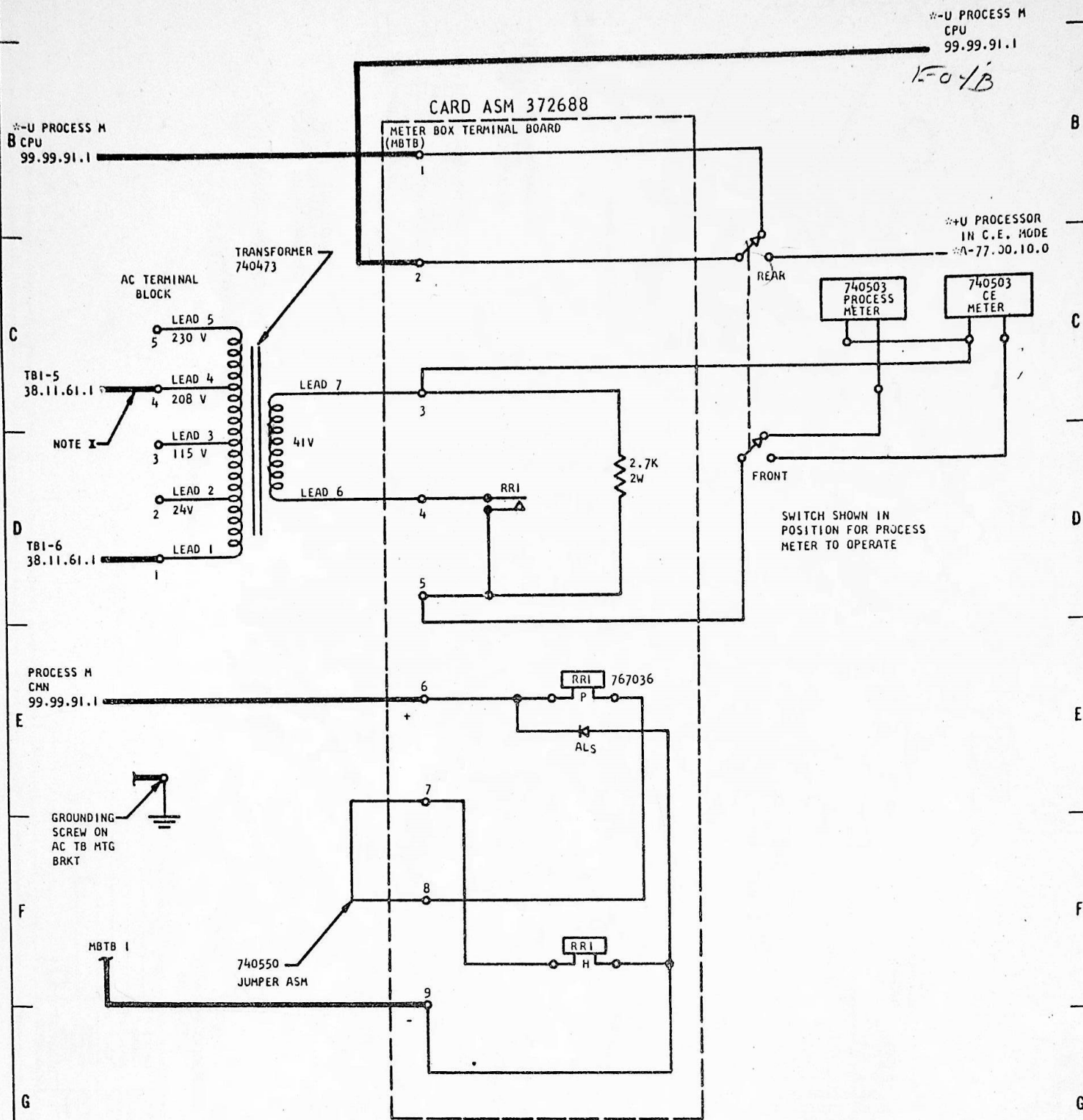
EC #
113544

POWER SUPPLY WIRING SCHEMATIC

PLUS/MINUS 6V AT 8 AMPS	473401
PLUS/MINUS 6V AT 12 AMPS	207208
PLUS/MINUS 6V AT 12 AMPS	473461
PLUS/MINUS 6V AT 16 AMPS	207211
PLUS/MINUS 6V AT 16 AMPS	473471
PLUS/MINUS 12V AT 12 AMPS	207232
PLUS/MINUS 12V AT 12 AMPS	473501
PLUS/MINUS 20V AT 6 AMPS	477221
PLUS/MINUS 20V AT 15 AMPS	207241
PLUS/MINUS 20V AT 15 AMPS	473431
PLUS/MINUS 30V AT 7 AMPS	210089
PLUS/MINUS 30V AT 7 AMPS	473561
PLUS/MINUS 3V MC AT 5 AMPS	477281
PLUS/MINUS 3V MC AT 5 AMPS	210864
PLUS/MINUS 12V AT 20 AMPS	208259
PLUS/MINUS 12V AT 20 AMPS	473381
PLUS/MINUS 60V AT 10 AMPS	220903
PLUS/MINUS 60V AT 20 AMPS	480766

SMS O/V PROTECTION SCHEMATIC

6V SUPPLIES	208948
12V SUPPLIES	208961
30V SUPPLIES	208968

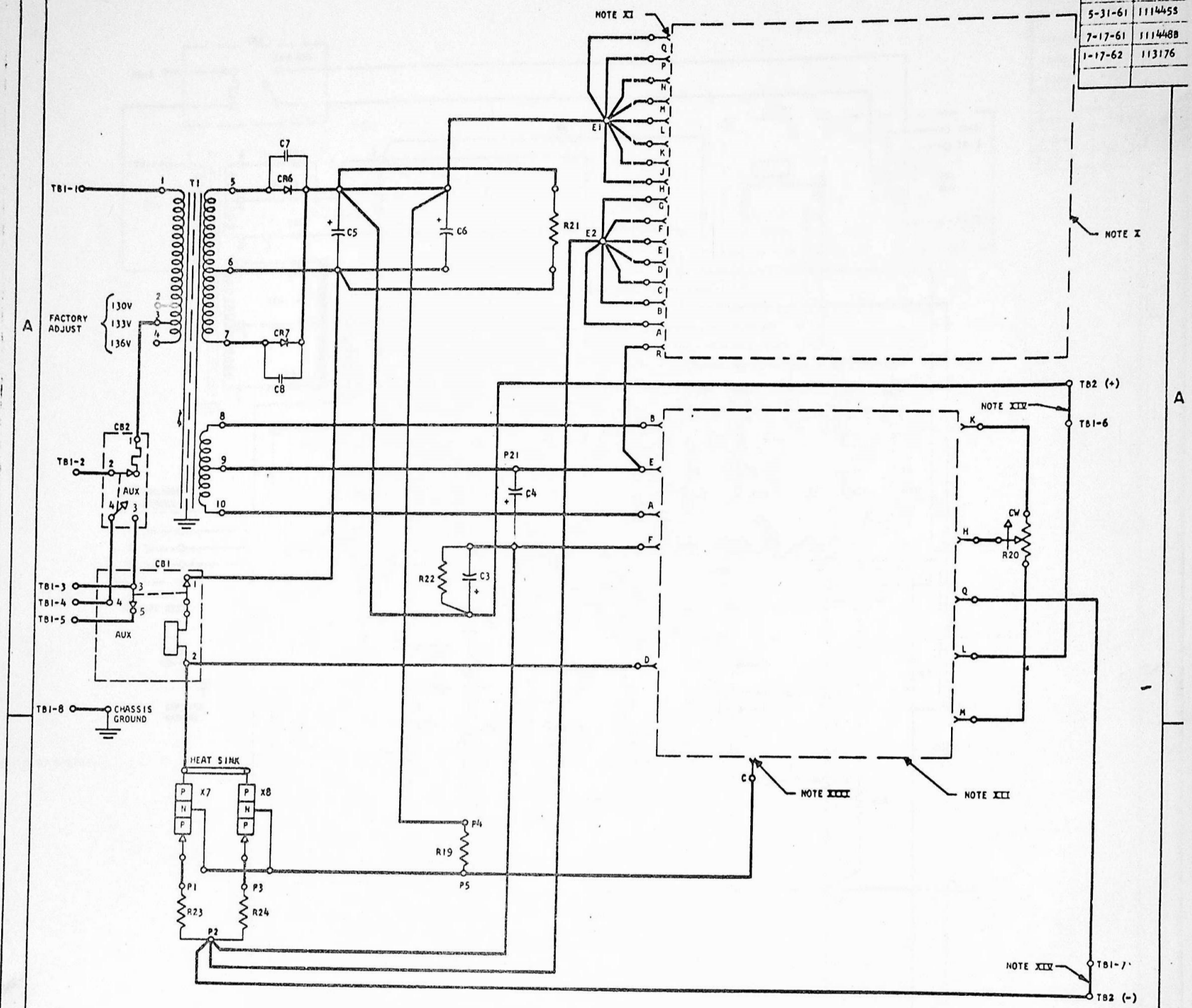


NOTE
 X CONNECT LEAD AS REQUIRED FOR SPECIFIC MACHINE VOLTAGE

9A-0188A0CH (1409)

DATE	EC NO	DATE	EC NO	DATE	EC NO
9-25-63	118320-E				

DATE	CHANGE I
5-10-61	111444
5-31-61	111445
7-17-61	111448
1-17-62	113176

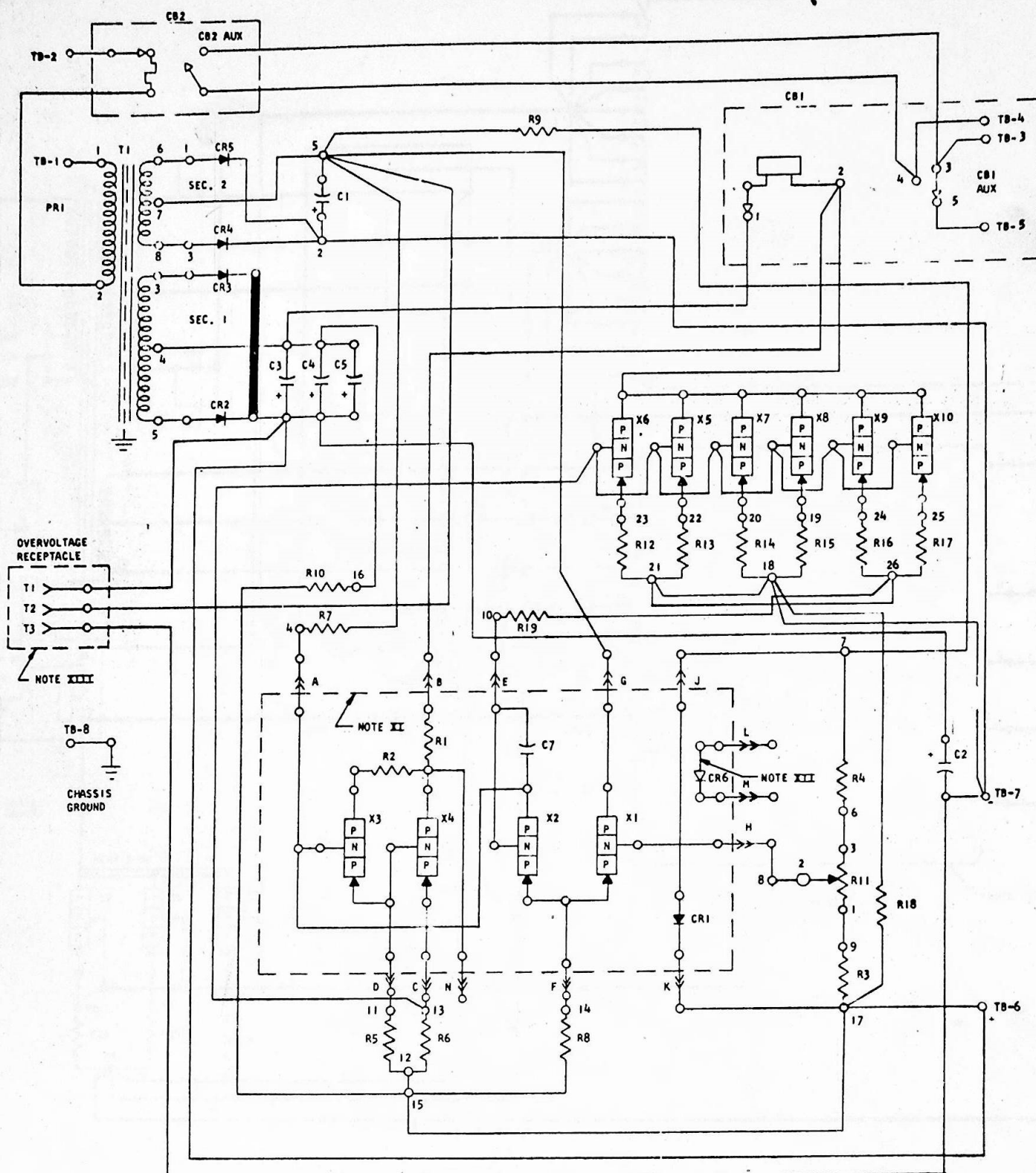


CODE	PART NO.	DESCRIPTION	CODE	PART NO.	DESCRIPTION
C3	208296	CAPACITOR 7,750MFD 10V DC	R20	207340	POTENTIOMETER 250 OHM 1/2W
C4	208362	CAPACITOR 610MFD 25V DC	R21	322888	RESISTOR 100 OHM 2W
C5-6	208224	CAPACITOR 14,000 MFD 13V DC	R22	317009	RESISTOR 390 OHM 1/2W
C7-8	492447	CAPACITOR	R23-24	207324	RESISTOR 0.1 OHM 5W
CB1	208204	CIRCUIT BREAKER			
CB2	220913	CIRCUIT BREAKER			
CR6-7	216197	RECTIFIER CELL	T1	473516	TRANSFORMER
E1-2	2102430	CONNECTOR	TB1		TERMINAL BLOCK
A & B		RECEPTACLE	TB2		TERMINAL BLOCK
R19	322888	RESISTOR 100 OHM 2W	X7-B	369214	TRANSISTOR TYPE 10B

NOTES
 XI OVERVOLTAGE CARD ASSEMBLY 370575
 XII UNIT RECEPTACLE "B"
 XIII COMPONENT CARD ASSEMBLY 370612
 XIV UNIT RECEPTACLE "A"
 XV FOR REMOTE SENSING REMOVE JUMPERS INDICATED AND SENSE BETWEEN TBI-6 AND TBI-7

INTERNATIONAL BUSINESS MACHINES CORP			
NAME		WIRING DIAGRAM-POWER	
SUPPLY- 6V DC AT 8 AMP			
DESIGN		TYPE	MISC
DETAIL		SCALE	NONE
CHECK		DRAW	MDE 3-4-61
APPRO		CHECK	

6-22-59	105580B
10-1-59	105583B
11-11-59	105584K
12-31-59	105584Y
2-2-60	105585C
3-23-60	105585W
10-26-60	105587L
3-6-61	111215
3-27-61	111432

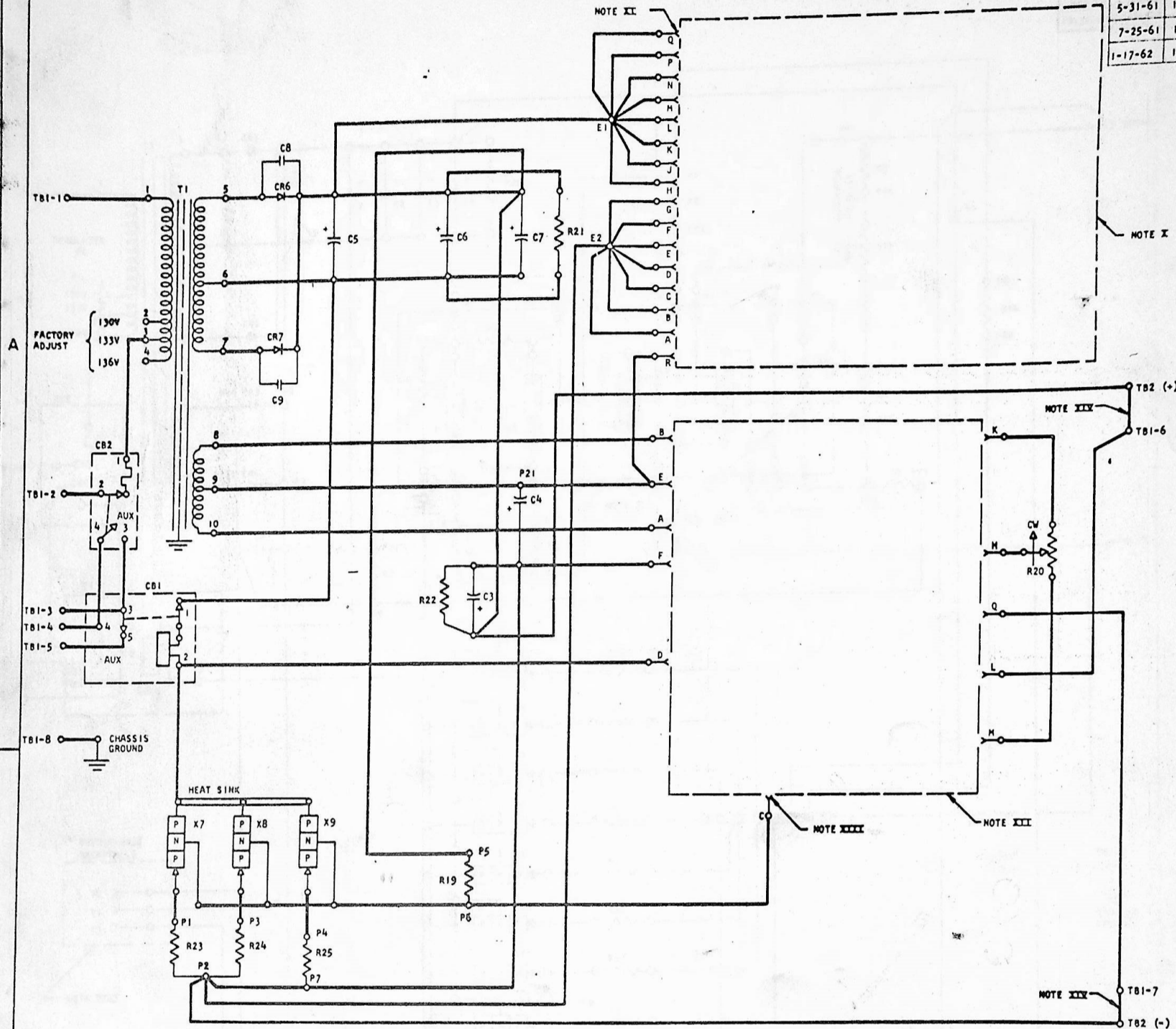


CODE	PART NO.	DESCRIPTION	CODE	PART NO.	DESCRIPTION
T1	207302	TRANSFORMER	R3	208256	RESISTOR 1.9K 5W
C1	207362	CAPACITOR 610 MFD 25V DC	R4	207374	RESISTOR 1.2K 5W
C2	207296	CAPACITOR 7750 MFD 10V DC	R5	317011	RESISTOR 470Ω 1/2W
C3, C5	208224	CAPACITOR 14,000 MFD 13V DC	R6	335329	RESISTOR 47Ω 2W
C7	492411	CAPACITOR .01 MFD 100V DC	R7	317095	RESISTOR 9.1K 2W
CR1	209002	DIODE	R8	2102532	RESISTOR 2K 5W
CR2, CR3	598479	DIODE	R9	207290	RESISTOR 770 Ω 5W
CR4, CR5	207316	DIODE	R10	208190	RESISTOR 70Ω 5W
CB1	208198	CIRCUIT BREAKER	R11	207340	POTENTIOMETER 250Ω 1/2W
X1, X2	535441	TRANSISTOR TYPE 026	R12-R17	207324	RESISTOR 0.1Ω 5W
X3	518689	TRANSISTOR TYPE 028	R18	317009	RESISTOR 390Ω 1/2W
X4	207363	TRANSISTOR TYPE 036	CR6	491300*	DIODE TYPE AU
X5, X10	209001	TRANSISTOR TYPE	CB2	220915	CIRCUIT BREAKER
R1	207320	RESISTOR 1Ω 5W	R19	317019	RESISTOR 2K 1/2W
R2	207321	RESISTOR 2Ω 1W			

NOTES
 I * - INDICATES COMPONENTS LOCATED ON COMPONENT CARD ASSEMBLY
 II COMPONENT CARD ASSEMBLY 371656
 III NOT USED ON 6V SUPPLIES
 XIII WHEN THE 6 VOLT OVERVOLTAGE ASSEMBLY NUMBER 208947 IS USED, REFER TO O/V WIRING DIAGRAM NUMBER 208948

INTERNATIONAL BUSINESS MACHINES CORP
 WIRING DIAGRAM - POWER SUPPLY -
 PLUS-MINUS 6V DC AT 12 AMP
 ACME 5-11-59 MISC
 ACME 5-11-59 NONE
 MDE 6-2-59
 R22 1-2-59

DATE	CHANGE NO
5-9-61	111444-D
5-31-61	111445S
7-25-61	111448A
1-17-62	113176



COMPONENT CHART

CODE	PART NO.	DESCRIPTION	CODE	PART NO.	DESCRIPTION
			R20	207340	POTENTIOMETER 250 OHM 1/2W
C3	207296	CAPACITOR 7,750 MFD 10V DC	R21	208190	RESISTOR 70 OHM 5W
C4	207362	CAPACITOR 610 MFD 25V DC	R22	317007	RESISTOR 390 OHM 1/2W
C5-7	208224	CAPACITOR 14,000 MFD 13V DC	R23-25	207324	RESISTOR 0.1 OHM 5W
C8-9	492447	CAPACITOR			
CB1	208198	CIRCUIT BREAKER			
CB2	220915	CIRCUIT BREAKER			
			T1	473566	TRANSFORMER
CR6-7	216198	RECTIFIER CELL			
E1-2	2102430	CONNECTOR	TB1		TERMINAL BLOCK
			TB2		TERMINAL BLOCK
A & B		RECEPTACLE	X7-9	369214	TRANSISTOR TYPE 10B
R19	322888	RESISTOR 100 OHM 2W			

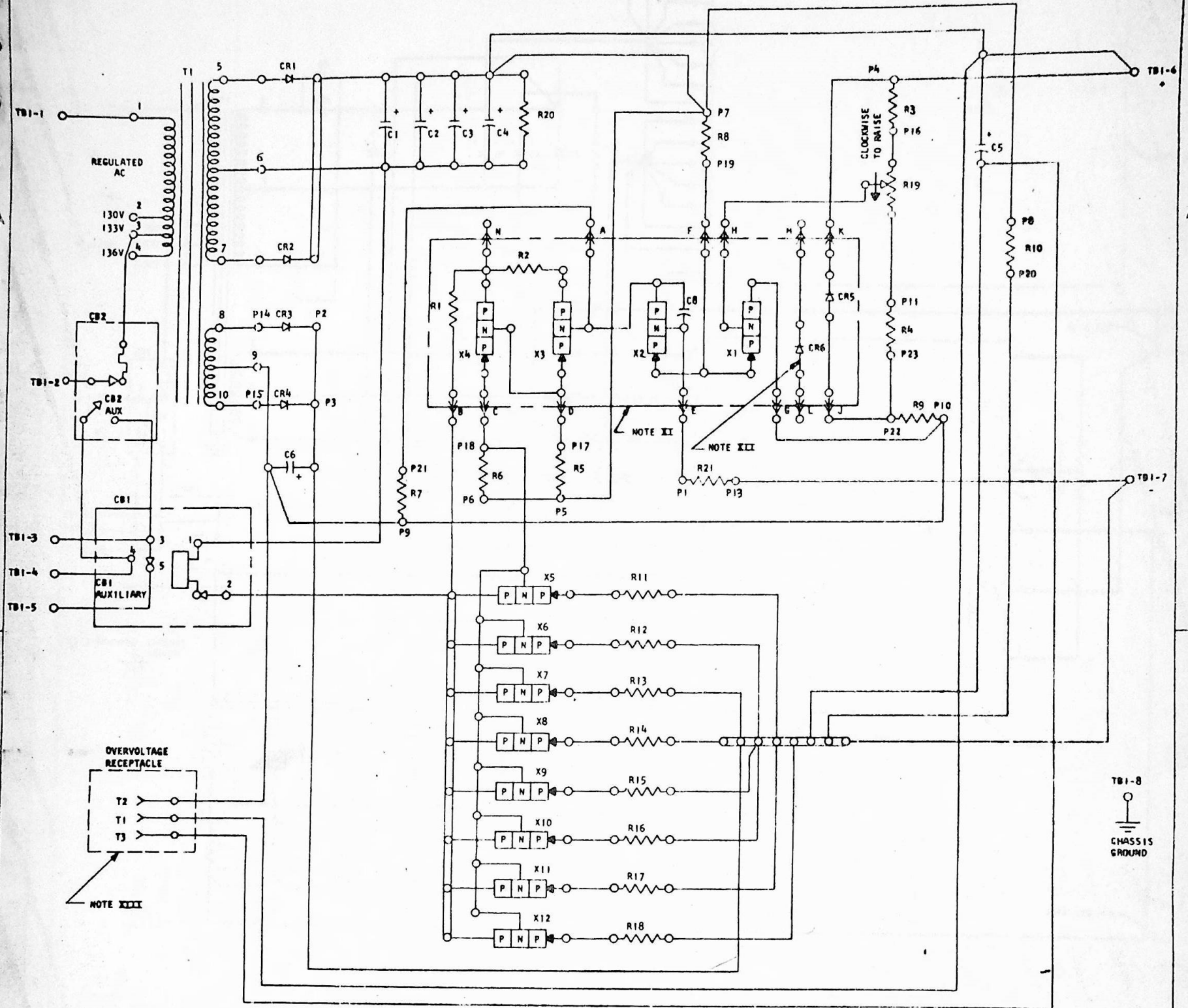
- NOTES
 I OVERVOLTAGE CARD ASSEMBLY 370575
 II UNIT RECEPTACLE "BM"
 XIII COMPONENT CARD ASSEMBLY 370612
 XIV UNIT RECEPTACLE "AM"
 XV FOR REMOTE SENSING REMOVE JUMPERS INDICATED AND SENSE BETWEEN TB1-6 AND TB1-7

INTERNATIONAL BUSINESS MACHINES CORP

NAME	WIRING DIAGRAM -POWER		
	SUPPLY - 6V DC AT 12 AMP		
DESIGN		TYPE	MISC
DETAIL		SCALE	NONE
CHECK		DRAW	MDE 3-11-61
APPRO		CHECK	

207211-B

DATE	CHANGE NO
8-31-59	105580Y
12-18-59	105584W
1-28-60	105585D
4-5-60	105585V
10-26-60	105587L

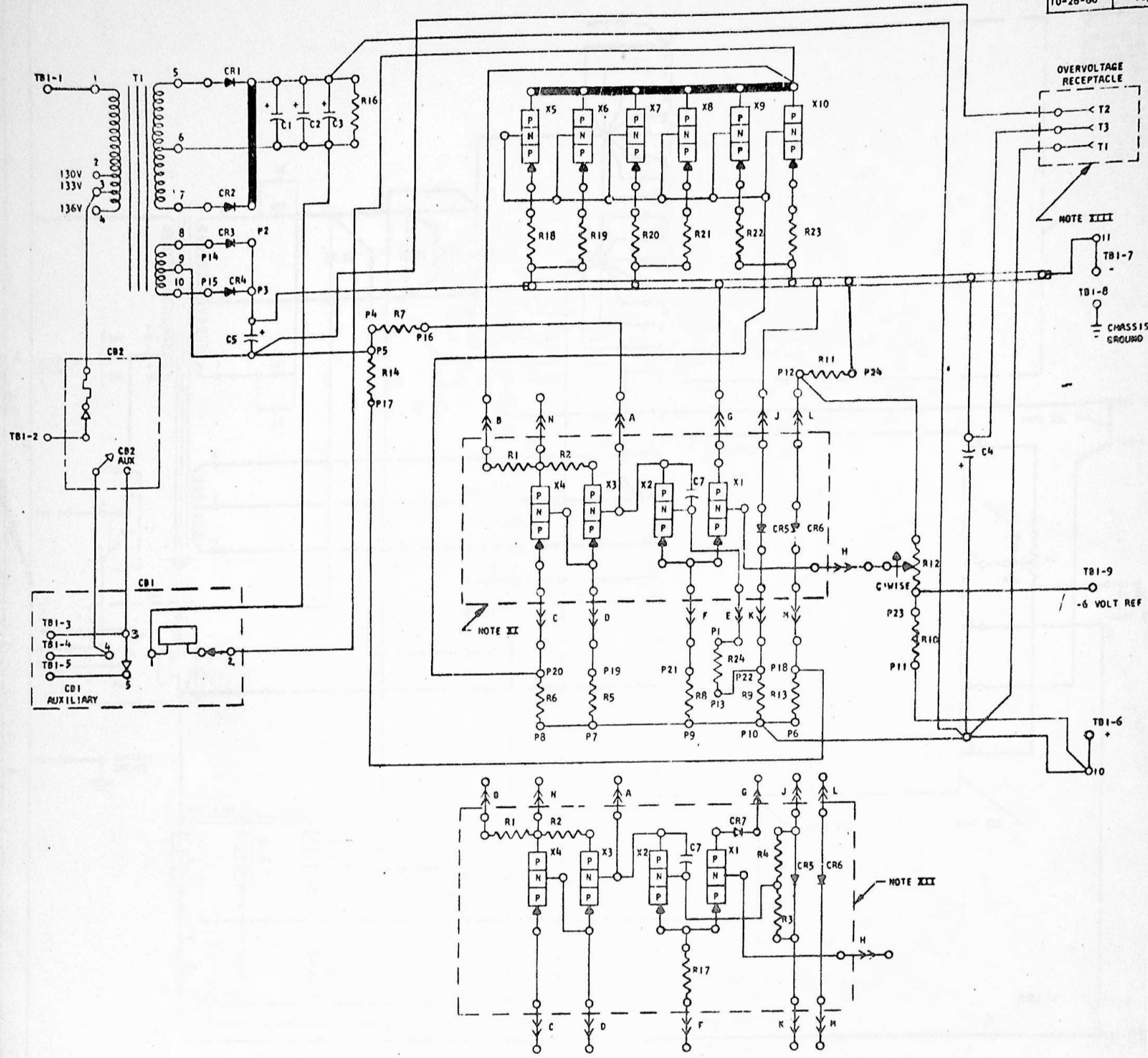


COMPONENT CHART					
CODE	PART NO.	DESCRIPTION	CODE	PART NO.	DESCRIPTION
T1	208184	TRANSFORMER	R8, R21	317019	RESISTOR 2K 1/2W
CR1, CR2	127324	DIODE	R10	335138	RESISTOR 200 OHM 2W
CR3, CR4	207316	DIODE	R11-R18	208985	RESISTOR 0.1 OHM 5W
CR5*	209002	DIODE	R19	207358	POTENTIOMETER 150 OHM 2W
CR6*	491300	DIODE TYPE AU	R20	207319	RESISTOR 50 OHM 5W
C1-C4	208224	CAPACITOR 14,000 MFD 13V DC	CB2	220916	CIRCUIT BREAKER
C5	208230	CAPACITOR 7,000 MFD 13V DC	R9	317014	RESISTOR 630 OHM 1/2W
C6	208228	CAPACITOR 5,500 MFD 19V DC	CB*	492411	CAPACITOR 0.01 MFD 100V DC
CB1	207350	CIRCUIT BREAKER			
X1-X2*	535441	TRANSISTOR TYPE 026			
X3*	518689	TRANSISTOR TYPE 028			
X4*	207363	TRANSISTOR TYPE 036			
X5-X12	209001	TRANSISTOR TYPE			
R1*	207320	RESISTOR 1 OHM 5W			
R2*	267321	RESISTOR 2 OHM 1W			
R3	208987	RESISTOR 1.25K 5W			
R4	207371	RESISTOR 800 OHM 5W			
R5	317013	RESISTOR 620 OHM 1/2W			
R6	322888	RESISTOR 100 OHM 2W			
R7	300721	RESISTOR 10K 1/2W			

NOTES
 X *-INDICATES COMPONENTS LOCATED ON COMPONENT CARD ASSEMBLY
 XI COMPONENT CARD ASSEMBLY NO. 371656
 XII NOT USED ON 6 VOLT SUPPLIES
 XIII WHEN THE 6 VOLT OVERVOLTAGE ASSEMBLY NUMBER 208947 IS USED, REFER TO O/V WIRING DIAGRAM NUMBER 208948

INTERNATIONAL BUSINESS MACHINES CORP				
NAME	WIRING DIAGRAM - POWER SUPPLY -			
*6V DC AT 16A				
DESIGN	PECO	5-29-59	TYPE	MISC
DETAIL	HAV	11-27-59	SCALE	NONE
CHECK	DPG	8-28-59	DRAW	HAV
APPRO			CHECK	HAV

6-23-59	105580M
10-16-59	105583P
12-18-59	105584M
1-28-60	105585D
4-5-60	105585V
10-26-60	105587L



CODE	PART NO.	DESCRIPTION	CODE	PART NO.	DESCRIPTION
T1	208176	TRANSFORMER	R3 *	207326	RESISTOR 1.7K 5W
C1-C4	208221	CAPACITOR 11,000 MFD 19V DC	R4 *	207228	RESISTOR 2.3K 5W
C5	208229	CAPACITOR 700 MFD 15V DC	R5	317276	RESISTOR 1.2K 1/2W
			R6	338138	RESISTOR 200 OHM 2W
X1, X2 *	535441	TRANSISTOR TYPE 026	R7	317523	RESISTOR 8.2K 1/2W
X3 *	518689	TRANSISTOR TYPE 028	R8	213623	RESISTOR 1K 1/2W
X4 *	207363	TRANSISTOR TYPE 036	R9	317005	RESISTOR 160 OHM 1/2W
X5-X10	209001	TRANSISTOR TYPE	R10	208986	RESISTOR 325 OHM 5W
CB1	208198	CIRCUIT BREAKER	R11	207381	RESISTOR 2K 5W
CR1,2	127324	DIODE	R12	207357	POTENTIOMETER 200 OHM 2W
CR3,4	207316	DIODE	R13	317012	RESISTOR 510 OHM 1/2W
CR5 *	209002	DIODE	R14	300721	RESISTOR 10K 1/2W
CR6 *	491300	DIODE TYPE AU	R16	472539	RESISTOR 100 OHM 10W
R1 *	207320	RESISTOR 1 OHM 5W	R17, R24	317019	RESISTOR 2K 1/2W
R2 *	207321	RESISTOR 2 OHM 1W	R18-23	208985	RESISTOR 0.1 OHM 5W
CB2	220916	CIRCUIT BREAKER	CR7 *	503591	DIODE TYPE F(S)
C7 *	492411	CAPACITOR 0.01 MFD 100V DC			

NOTES
 * INDICATES COMPONENTS LOCATED ON COMPONENT CARD ASSEMBLIES
 XI COMPONENT CARD ASSEMBLY NO. 371656 FOR REFERENCE TO GROUND
 XII COMPONENT CARD ASSEMBLY NO. 371655 FOR REFERENCE TO -6 VOLTS
 XIII WHEN THE 12 VOLT OVERVOLTAGE ASSEMBLY NUMBER 208961 IS USED, REFER TO O/V WIRING DIAGRAM NUMBER 208961

INTERNATIONAL BUSINESS MACHINES CORP.

WIRING DIAGRAM - POWER SUPPLY -

12V DC AT 12 AMP

REVISED 5-29-59

DATE MDE 6-21-59

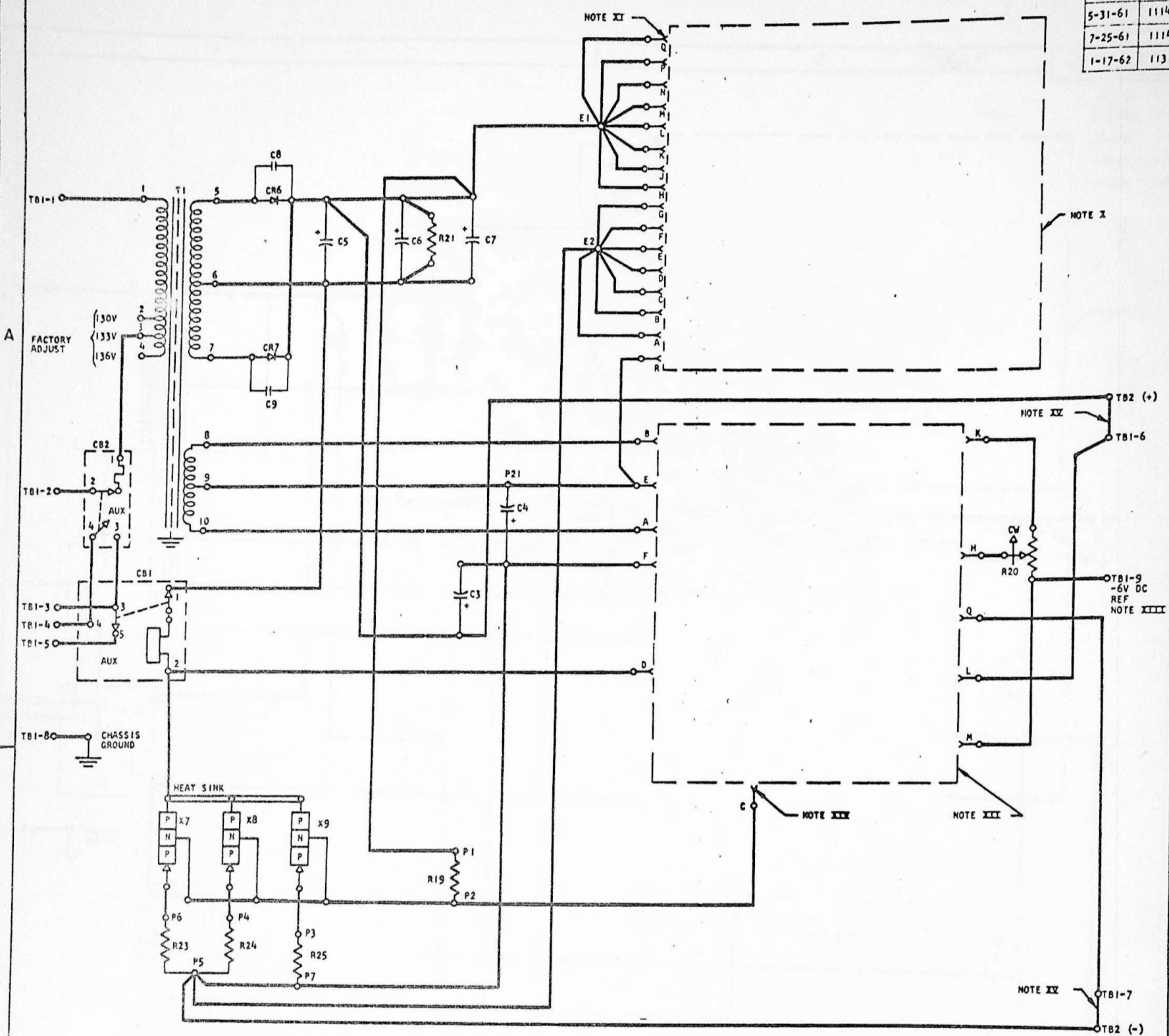
BY ROL 6-22-59

MISC NONE

C

B

DATE	CHANGE NO
5-10-61	1114445
5-31-61	1114458
7-25-61	111448A
1-17-62	113176



COMPONENT CHART

CODE	PART NO.	DESCRIPTION	CODE	PART NO.	DESCRIPTION
C3	208221	CAPACITOR 11,000 MFD 19V DC	R20	207340	POTENTIOMETER 250 OHM 1/2W
C4	208229	CAPACITOR 700 MFD 15V DC	R21	472539	RESISTOR 100 OHM 10W
C5-7	208221	CAPACITOR 11,000 MFD 19V DC	R23-25	207324	RESISTOR 0.1 OHM 5W
C8-9	492447	CAPACITOR			
CB1	208198	CIRCUIT BREAKER			
CB2	220916	CIRCUIT BREAKER			
CR6-7	216198	RECTIFIER CELL	T1	208176	TRANSFORMER
E1-2	2102430	CONNECTOR	TB1		TERMINAL BLOCK
A & H		RECEPTACLE	TB2		TERMINAL BLOCK
R19	335138	RESISTOR 200 OHM 2W	X7-9	479214	TRANSISTOR TYPE 10B

NOTES

- X OVERVOLTAGE CARD ASSEMBLY 370576
- XI UNIT RECEPTACLE "B"
- XII FOR REFERENCE TO GROUND USE COMPONENT CARD ASSEMBLY 370610
- XIII FOR REFERENCE TO -6V DC, USE COMPONENT CARD ASSEMBLY 370613
- XIV UNIT RECEPTACLE "A"
- XV FOR REMOTE SENSING REMOVE JUMPERS INDICATED AND SENSE BETWEEN TB1-6 AND TB1-7

INTERNATIONAL BUSINESS MACHINES CORP

NAME		WIRING DIAGRAM-POWER	
SUPPLY - 12V DC AT 12 AMP			
DESIGN		TYPE	MISC
DETAIL		SCALE	NONE
CHECK		DRAW	MDE 3-11-61
APPRO		CHECK	

NOTE XI

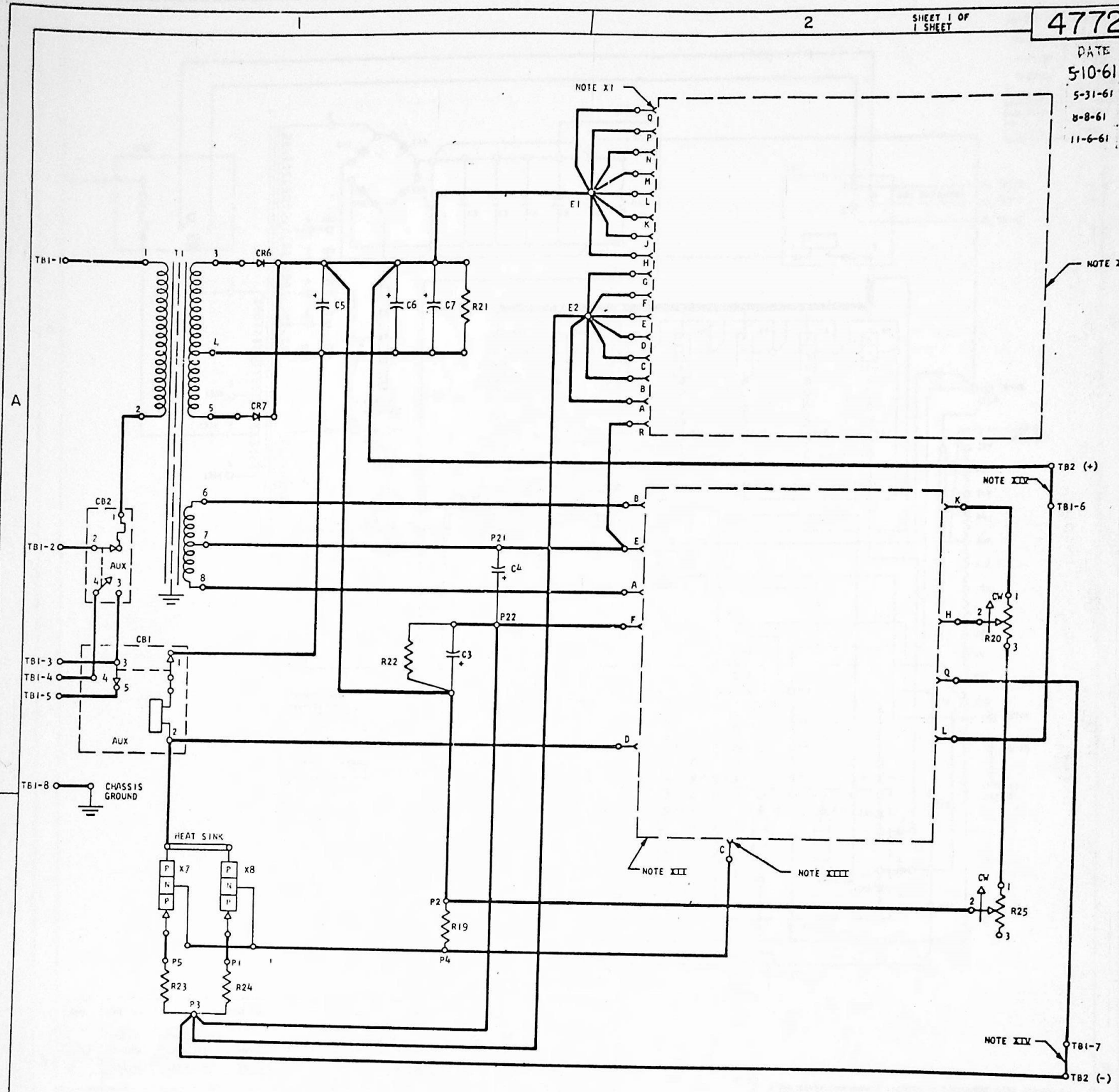
NOTE X

NOTE XIII

NOTE XIII

NOTE XIII

NOTE XIV



COMPONENT CHART

CODE	PART NO.	DESCRIPTION	CODE	PART NO.	DESCRIPTION
			R20	207393	POTENTIOMETER 500 OHM 1/2W
C3	360244	CAPACITOR 5,000 MFD 25V DC	R21	507142	RESISTOR 100 OHM 25W
C4	207310	CAPACITOR 100 MFD 25V DC	R22	207354	RESISTOR 220 OHM 5W
C5-7	501144	CAPACITOR 10,000 MFD 25V DC	R23-4	207324	RESISTOR 0.1 OHM 5W
			R25	207392	POTENTIOMETER 2.5K 1/2W
CB1	207349	CIRCUIT BREAKER			
CB2	220915	CIRCUIT BREAKER			
CR6-7	195479	RECTIFIER CELL	T1	207304	TRANSFORMER
E1-2	2102430	CONNECTOR	TB1		TERMINAL BLOCK
			TB2		TERMINAL BLOCK
A & B		RECEPTACLE	X7-8	369214	TRANSISTOR
R19	207336	RESISTOR 250 OHM 5W			

NOTES

- X OVERVOLTAGE CARD ASSEMBLY 370579
- XI UNIT RECEPTACLE "B"
- XII COMPONENT CARD ASSEMBLY 370607
- XIII UNIT RECEPTACLE "A"
- XIV FOR REMOTE SENSING REMOVE JUMPERS INDICATED AND SENSE BETWEEN TB1-6 AND TB1-7

INTERNATIONAL BUSINESS MACHINES CORP

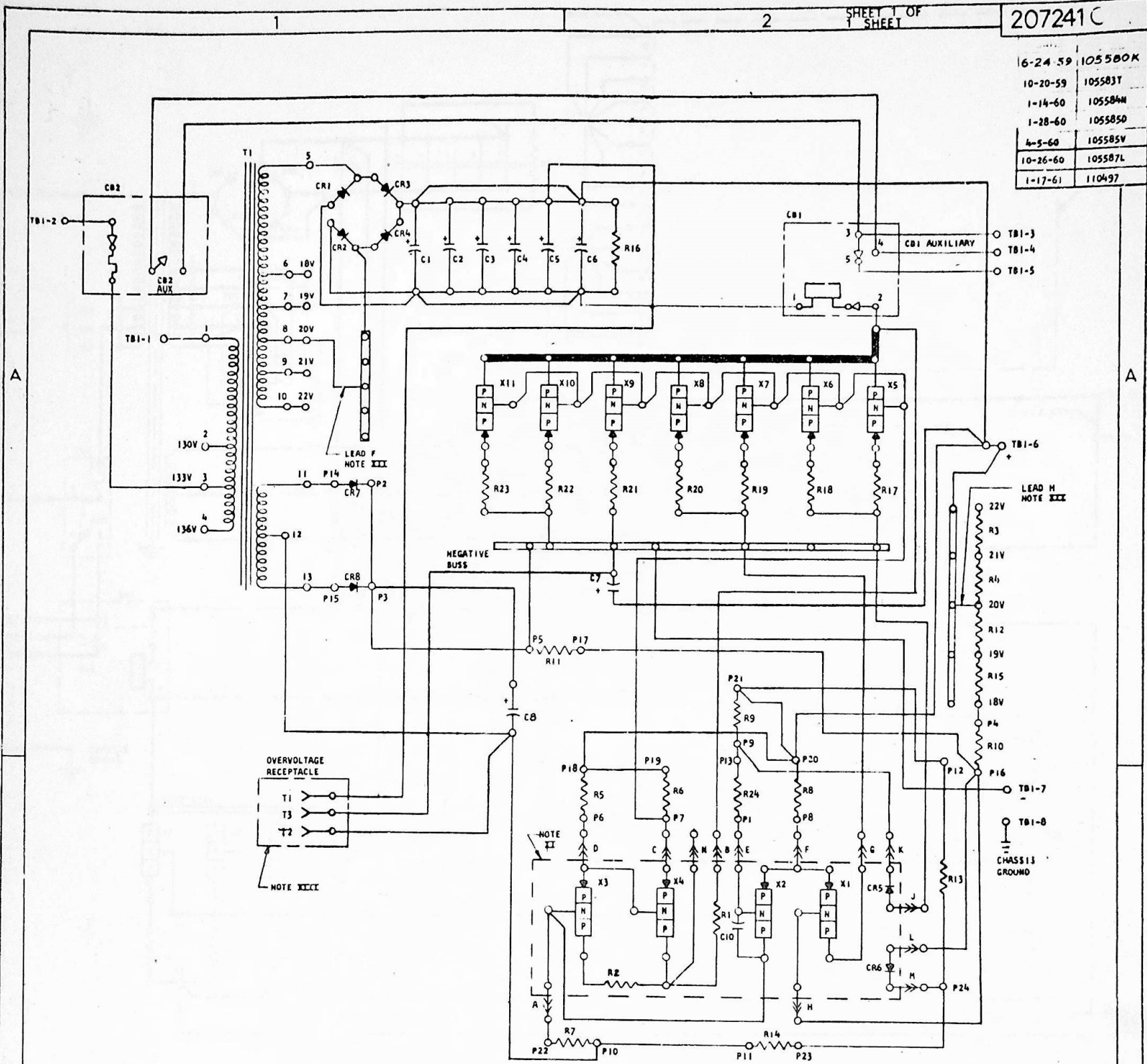
NAME | WIRING DIAGRAM-POWER

SUPPLY-20V DC AT 6 AMP

TYPE	MISC
SCALE	NONE
RAW	MDE 3-27-61
CHECK	

5-10-61

6-24-59	105580K
10-20-59	105583T
1-14-60	105584M
1-28-60	105585D
4-5-60	105585V
10-26-60	105587L
1-17-61	110497

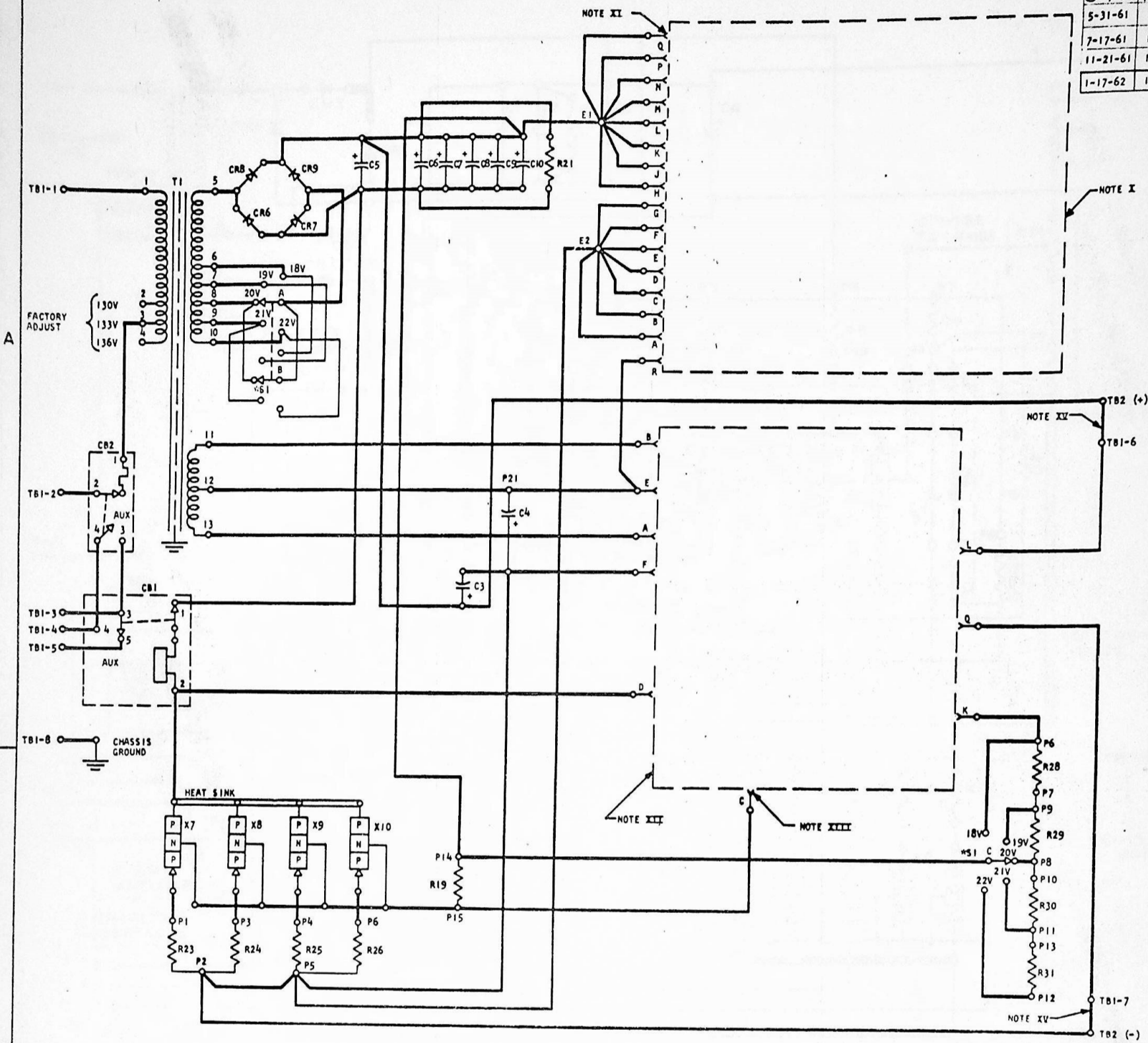


CODE	PART NO.	DESCRIPTION	CODE	PART NO.	DESCRIPTION
T1	208175	TRANSFORMER	R3, 4, 12, 15	207365	RESISTOR 200 OHM 5W
C1-C7	208238	CAPACITOR 10,000 MFD 33V DC	R5, R24	317019	RESISTOR 2K 1/2W
CB	208229	CAPACITOR 700 MFD 15V DC	R6	207336	RESISTOR 250 OHM 5W
CR1-CR4	208386	DIODE	R7	300721	RESISTOR 10K 1/2W
CR5	209002	DIODE	R8	317024	RESISTOR 5.1K 1/2W
CR6	491300	DIODE TYPE AU	R10	208938	RESISTOR 1650 OHM 5W
CR7, CR8	207316	DIODE	R11	207381	RESISTOR 2K 5W
X1, X2	535441	TRANSISTOR TYPE 026	R13	213693	RESISTOR 1K 1/2W
X3	518689	TRANSISTOR TYPE 028	R14	300721	RESISTOR 10K 1/2W
X4	207363	TRANSISTOR TYPE 036	R16	208825	RESISTOR 25 OHM 50W
X5-X11	209001	TRANSISTOR TYPE	R17-23	208985	RESISTOR 0.1 OHM 5W
CB1	208198	CIRCUIT BREAKER	R9	213693	RESISTOR 1K 1/2W
R1	207320	RESISTOR 1 OHM 5W	CB2	220918	CIRCUIT BREAKER
R2	207321	RESISTOR 2 OHM 1W	C10*	492411	CAPACITOR 0.01 MFD 100V DC

NOTES
 X * INDICATES COMPONENTS LOCATED ON COMPONENT CARD ASSEMBLY
 XX COMPONENT CARD ASSEMBLY NO. 371656
 XXX LEADS F AND H MOVE TOGETHER
 XXXX WHEN THE 20 VOLT OVERVOLTAGE ASSEMBLY NUMBER 208972 IS USED, REFER TO O/V WIRING DIAGRAM NUMBER 208973

INTERNATIONAL BUSINESS MACHINES CORP
 WIRING DIAGRAM - POWER SUPPLY -
 20V DC AT 15A
 PECO 5-28-59
 JCS 5-28-59
 JMI 6/10/59
 MISC
 NONE
 MDE 7-13-59
 XXX 7-14-59

DATE	CHANGE NO
5-9-61	111444-P
5-31-61	1114455
7-17-61	111448C
11-21-61	112599K
1-17-62	113176



CODE	PART NO.	DESCRIPTION	CODE	PART NO.	DESCRIPTION
C3	208238	CAPACITOR 10,000 MFD 33V DC	R21	208825	RESISTOR 25 OHM 50W
C4	208229	CAPACITOR 700 MFD 15V DC	R23-26	207324	RESISTOR 0.1 OHM 5W
C5-10	203238	CAPACITOR 10,000 MFD 33V DC	R28-31	207365	RESISTOR 200 OHM 5W
CB1	207350	CIRCUIT BREAKER	S1	504297	SWITCH
CB2	220918	CIRCUIT BREAKER	T1	473416	TRANSFORMER
CR6-9	216198	RECTIFIER CELL			
E1-2	2102430	CONNECTOR	TB1		TERMINAL BLOCK
A & R		RECEPTACLE	TB2		TERMINAL BLOCK
R19	207335	RESISTOR 250 OHM 5W	X1-10	369214	TRANSISTOR

- NOTES
 I OVERVOLTAGE CARD ASSEMBLY 170579
 II UNIT RECEPTACLE "B"
 III COMPONENT CARD ASSEMBLY 370611
 IV UNIT RECEPTACLE "A"
 V SWITCH (S1) MUST NOT BE TURNED WITHOUT UNLOADING SUPPLY BY OPENING CB1
 VI FOR REMOTE SENSING REMOVE JUMPERS INDICATED AND SENSE BETWEEN TB1-6 AND TB1-7

INTERNATIONAL BUSINESS MACHINES CORP

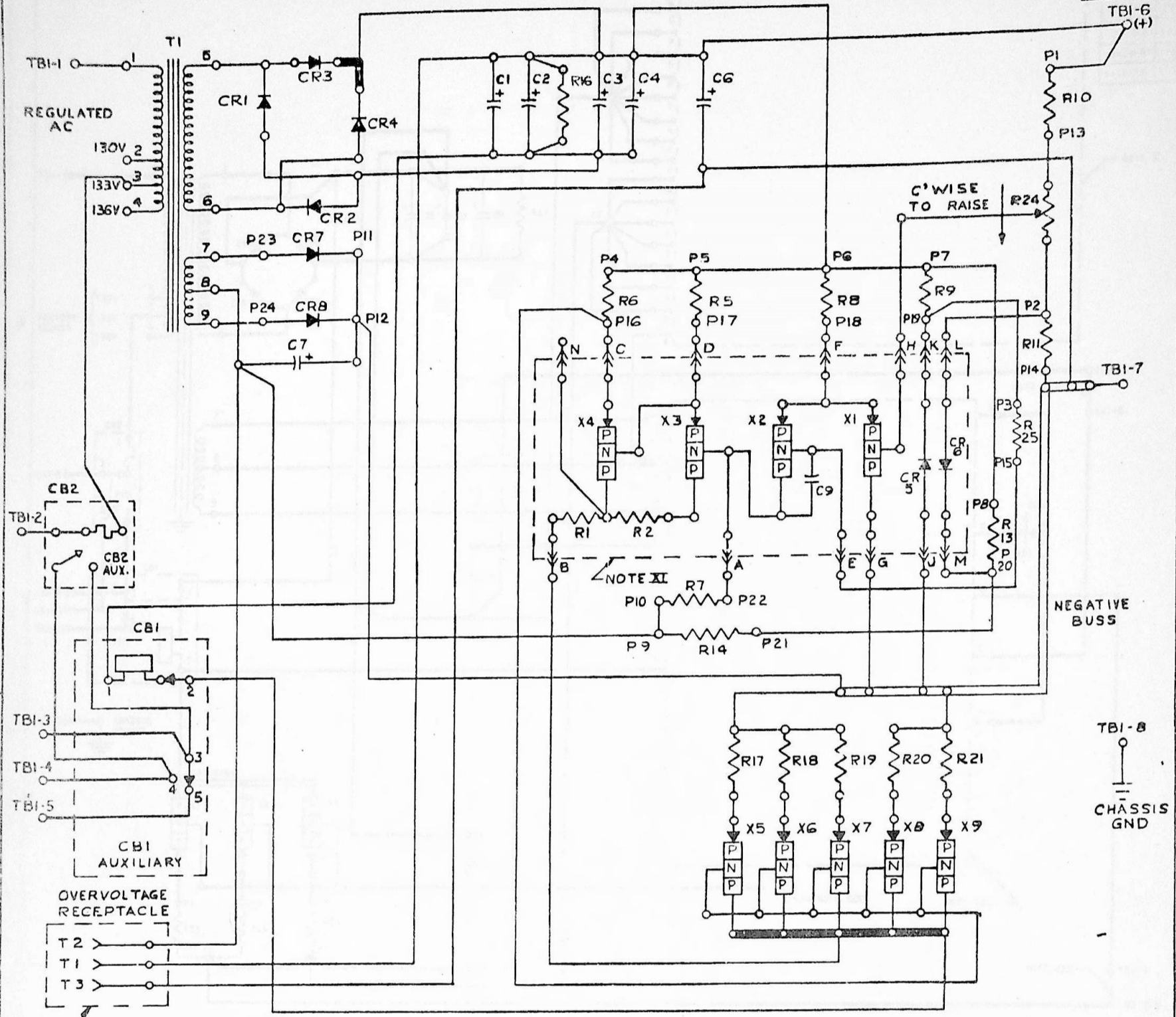
NAME: WIRING DIAGRAM-POWER
 SUPPLY- 20V DC AT 15 AMP

DESIGN		TYPE	MISC
DETAIL		SCALE	NONE
CHECK		DRAW	MDE 3-4-61
APPROVED		CHECK	

21009-B

210089B	
DATE	CHANGE NO
3-26-60	105587-R
2-13-61	111221
3-27-61	11432

2



NOTE XI

NOTES:

- X * INDICATES COMPONENTS LOCATED ON COMPONENT CARD ASSEMBLY.
- XI COMPONENT CARD ASSEMBLY NUMBER 37165G.
- XII WHEN THE 30 VOLT OVERVOLTAGE ASSEMBLY 208967 IS USED REFER TO O/V WIRING DIAGRAM 20896E

COMPONENT CHART

CODE	PART NO.	DESCRIPTION	CODE	PART NO.	DESCRIPTION
R10	207378	RESISTOR 2050 Ω 5W	T1	210092	XFM R
R11	207379	RESISTOR 1K Ω 5W	CR1-4	598479	DIODE
R13	317024	RESISTOR 5,100 Ω 1/2W	CR7-8	207316	DIODE
R14	300721	RESISTOR 10K Ω 1/2 W	CR5*	209002	DIODE
R16	507142	RESISTOR 100 Ω 25W	CR6*	491300	DIODE IBM AU
R17-R21	208995	RESISTOR 0.1 Ω 5W	X1, X2*	535441	TRANSISTOR TYPE 026
R24	208988	POT. 125 Ω 2W. W.W.	X3*	518689	TRANSISTOR TYPE 028
C1-C3	208235	CAP. 5,500 MFD 45V	X4*	207363	TRANSISTOR TYPE 036
C4, C6	208245	CAP. 2,500 MFD 45V	X5-9	208196	TRANSISTOR TYPE 037
C7	208229	CAP. 700 MFD 15V	CB1	207349	CIRCUIT BREAKER (8 AMP)
R9	317353	RESISTOR 2K Ω 1W	R1*	207320	RESISTOR 1 Ω 5W
CB2	220517	CIRCUIT BREAKER	R2*	207321	RESISTOR 2 Ω 1W
C9*	492411	CAP. .01MFD 100 V.DC	R5	323920	RESISTOR 3K 1/2 W
R25	317019	RESISTOR 2K Ω 1/2 W	R6	2102155	RESISTOR 500 Ω 5W
			R7, R8	300721	RESISTOR 10K 1/2W

INTERNATIONAL BUSINESS MACHINES CORP

NAME: WIRING DIAGRAM

DESIGN: 208967

DETAIL: 208967

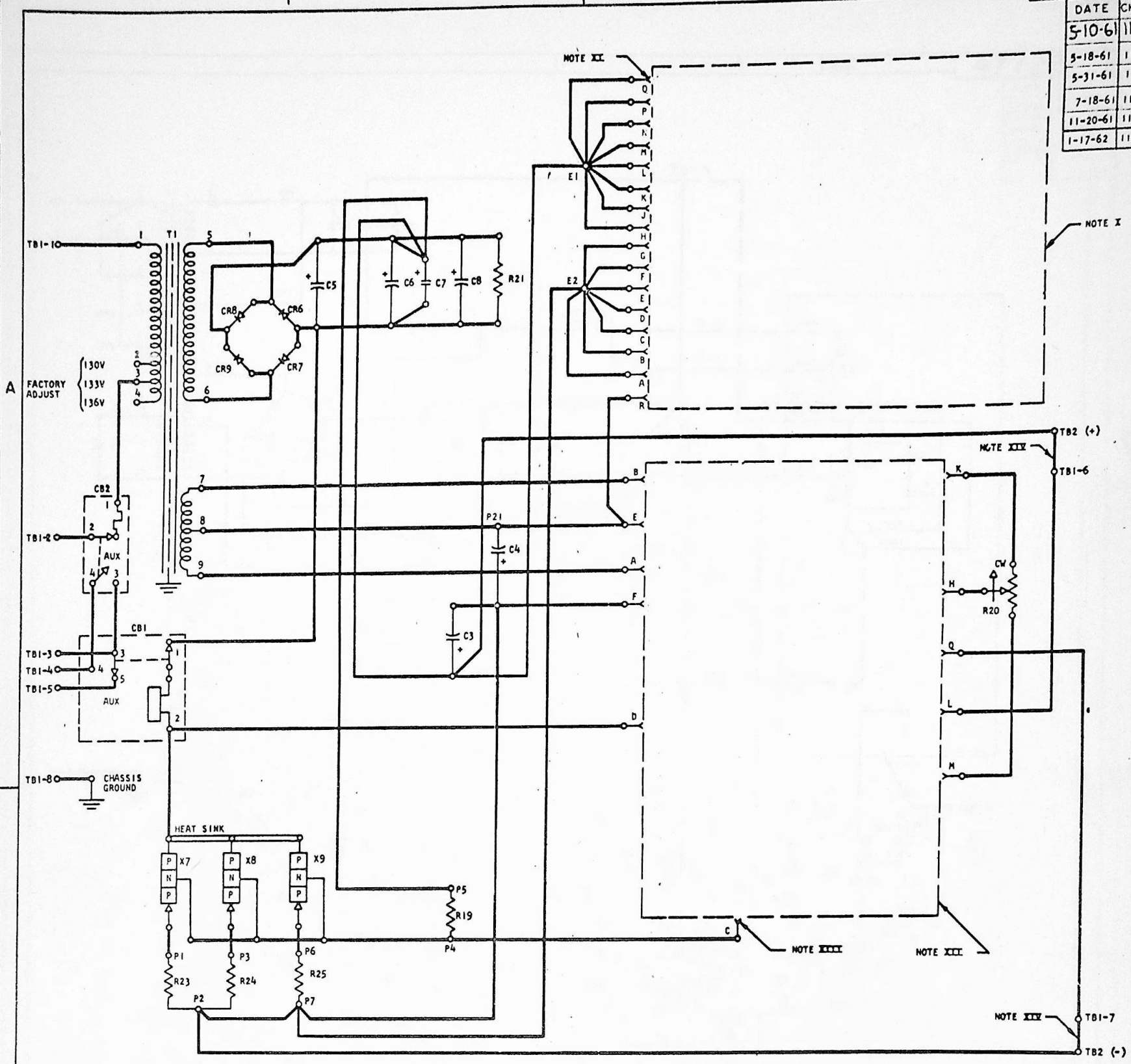
CHECK: 208967

APPRO: 208967

DESIGN	DATE	TYPE
DETAIL	DATE	SCALE
CHECK	DATE	DRAW
APPRO	DATE	CHECK

2

DATE	CHANGE NO
5-10-61	111444Y
5-18-61	111445P
5-31-61	111445S
7-18-61	111448H
11-20-61	112599G
1-17-62	113176



COMPONENT CHART

CODE	PART NO.	DESCRIPTION	CODE	PART NO.	DESCRIPTION
C3	208245	CAPACITOR 2,500 MFD 45V DC	R20	207340	POTENTIOMETER 250 OHM 1/2W
C4	208229	CAPACITOR 700 MFD 15V DC	R21	507142	RESISTOR 100 OHM 25W
C5-7	208235	CAPACITOR 5,500 MFD 45V DC	R23-25	207324	RESISTOR 0.1 OHM 5W
C8	208245	CAPACITOR 2,500 MFD 45V DC			
CB1	207349	CIRCUIT BREAKER			
CB2	220917	CIRCUIT BREAKER			
			T1	210092	TRANSFORMER
CR6-9	216197	RECTIFIER CELL			
E1-2	2102430	CONNECTOR	TB1		TERMINAL BLOCK
			TB2		TERMINAL BLOCK
A & B		RECEPTACLE	X7-9	369214	TRANSISTOR TYPE 10B
R19	2102155	RESISTOR 500 OHM 5W			

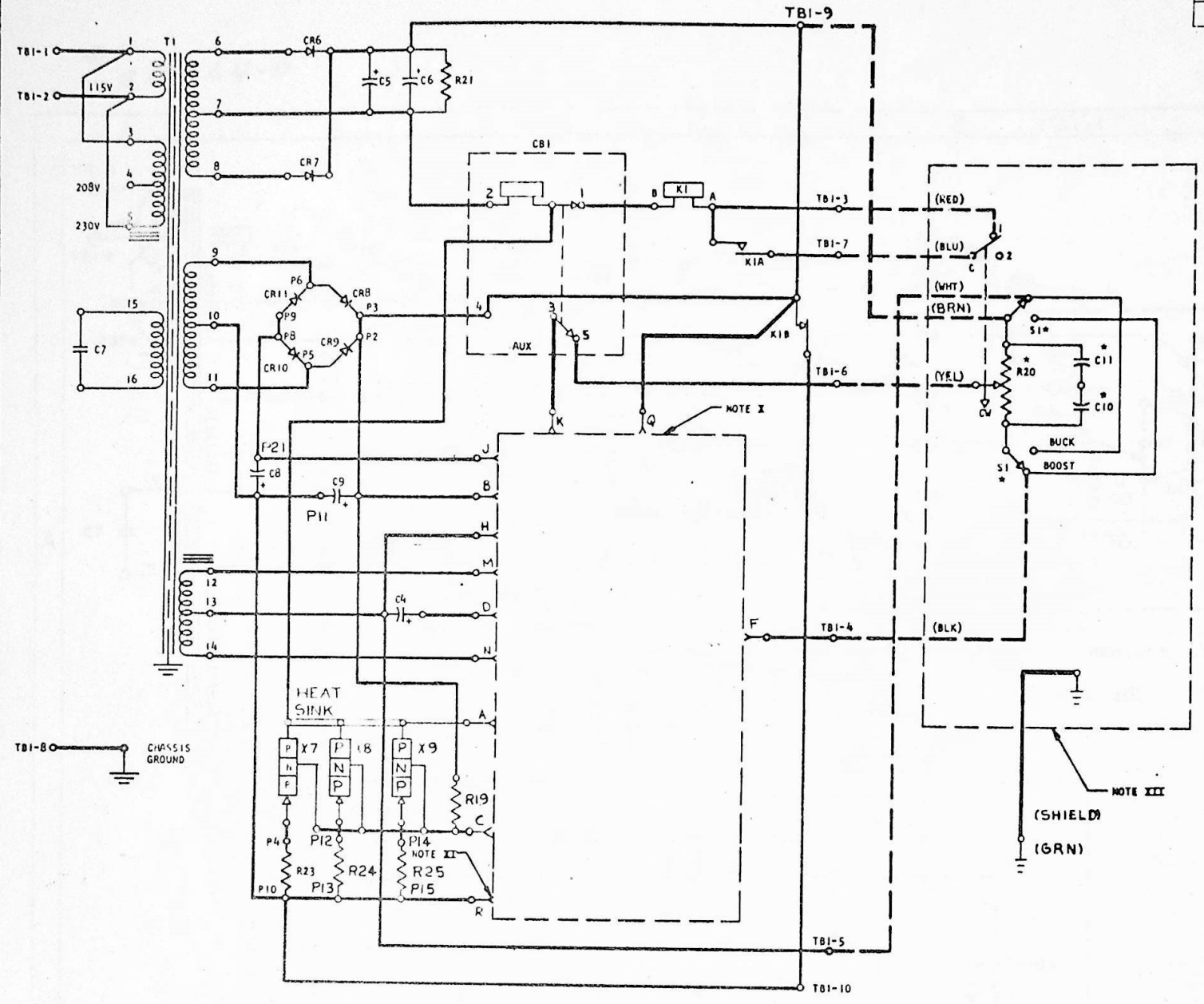
- NOTES
 XI OVERVOLTAGE CARD ASSEMBLY 370578
 XII UNIT RECEPTACLE "M"
 XIII COMPONENT CARD ASSEMBLY 370608
 XIV UNIT RECEPTACLE "A"
 FOR REMOTE SENSING REMOVE JUMPERS INDICATED AND SENSE BETWEEN TBI-6 AND TBI-7

INTERNATIONAL BUSINESS MACHINES CORP.

NAME WIRING DIAGRAM-POWER SUPPL			
30V DC AT 7 AMP			
DESIGN		TYPE	MISC
DETAIL		SCALE	NONE
CHECK		DRAW	MOE 3-27-61
APPRO	<i>[Signature]</i>	CHECK	

477281

DATE	CHANGE NO
5-11-61	111445E
6-2-61	111445S
7-20-61	111448N



COMPONENT CHART

CODE	PART NO.	DESCRIPTION	CODE	PART NO.	DESCRIPTION
C4	210845	CAPACITOR 1250 MFD 25V DC			
C5-6	479953	CAPACITOR 15,000 MFD 10V DC			
C7	210873	CAPACITOR 6 MFD 330V AC	R19	317012	RESISTOR 510 OHM 1/2W
C8-9	208229	CAPACITOR 700 MFD 15V DC	R20	301881	RESISTOR 240 OHM 2W
C10-11			R23-25	207324	RESISTOR .01 OHM 5W
CB1	207348	CIRCUIT BREAKER	S1		
CR6-7	598479	RECTIFIER CELL	T1	210844	TRANSFORMER
CR8-10	207316	RECTIFIER CELL	TBI		TERMINAL BLOCK
K1	210874	RELAY	X7-9	369214	TRANSISTOR TYPE 10B

NOTES
 I COMPONENT CARD ASSEMBLY 370616
 II UNIT RECEPTACLE
 III REMOTE CONTROL ASSEMBLY CONSISTING OF 210846 (POT-SWITCH ASM) AND 27630 (SWITCH). SUPPLIED WITH PORTABLE UNIT ONLY
 * COMPONENTS ON REMOTE ASSEMBLY

INTERNATIONAL BUSINESS MACHINES CORP

NAME				WIRING DIAGRAM-POWER SUPPLY-3V DC AT 5A MARGIN CHECK			
DESIGN		TYPE	MISC				
DETAIL		SCALE	NONE				
CHECK		DRAW	MDE	5-10-61			
APP'D		CHECK					

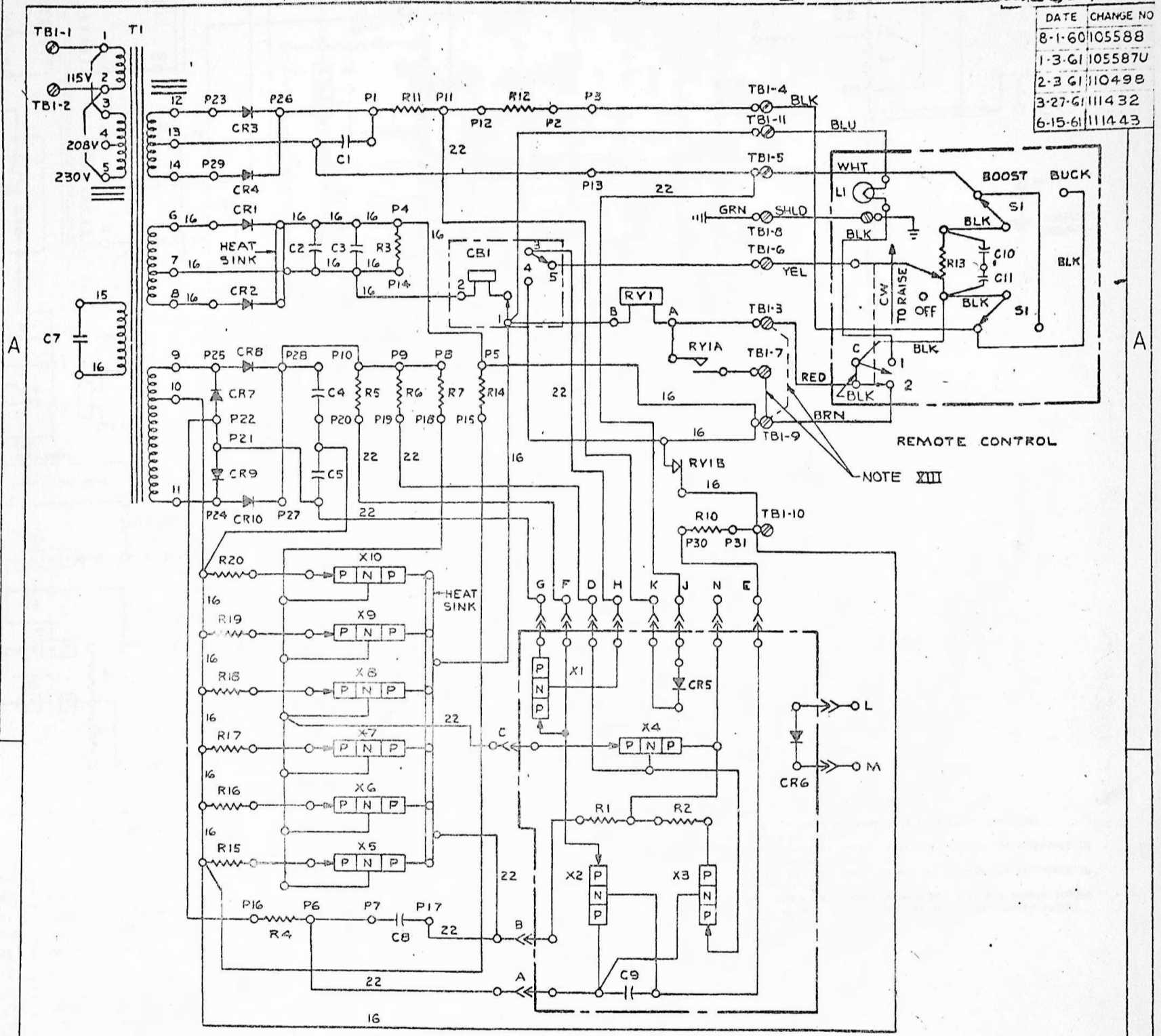
210864-D

2

SHEET 1 OF 1 SHEET

210864D

DATE	CHANGE NO
8-1-60	105588
1-3-61	105587U
2-3-61	110498
3-27-61	111432
6-15-61	111443



COMPONENT CHART

CODE	PART NO.	DESCRIPTION	CODE	PART NO.	DESCRIPTION
T1	210844	REG. REACTOR	R4	300721	RES. 10K Ω 1/2 W
C1	210845	CAP. 1250 MFD 25 VDC	R5	317024	RES. 5100 Ω 1/2 W
C2, C3	479953	CAP. 15 K MFD 10 VDC	R6	213693	RES. 1K Ω 1/2 W
C4, C5	208229	CAP. 700 MFD 15 VDC	R7	317012	RES. 510 Ω 1/2 W
C7	210873	CAP. 6 MFD 330 VAC	R10	317019	RES. 2K Ω 1/2 W
C8	492411	CAP. .01 MFD 100 VDC	R11	317014	RES. 680 Ω 1/2 W
*C9	492411	CAP. .01 MFD 100 VDC	R12	210858	RES. 1900 Ω 5W $\pm 1\%$
C10, C11	521737	CAP. 50 MFD 12 VDC	R13	210846	RES. 1000 Ω 2 W
CB1	207348	CIRCUIT BREAKER	R14	323918	RES. 180 Ω 1/2 W
CR1, 2	598479	RECTIFIER	R15-20	207324	RES. 1 Ω 5 W
CR3, 4	207316	RECTIFIER	RY1	210874	RELAY
*CR5	209002	ZENER	S1	128455	SWITCH
*CR6	491300	RECTIFIER	*X1, X2	535441	TRANS.
CR7-10	207316	RECTIFIER	*X3	518689	TRANS.
*R1	207320	RES.	*X4	207363	TRANS.
*R2	207321	RES.	X5-10	209001	TRANS.
R3	301881	RES. 240 Ω 2 W	LI	219628	LAMP

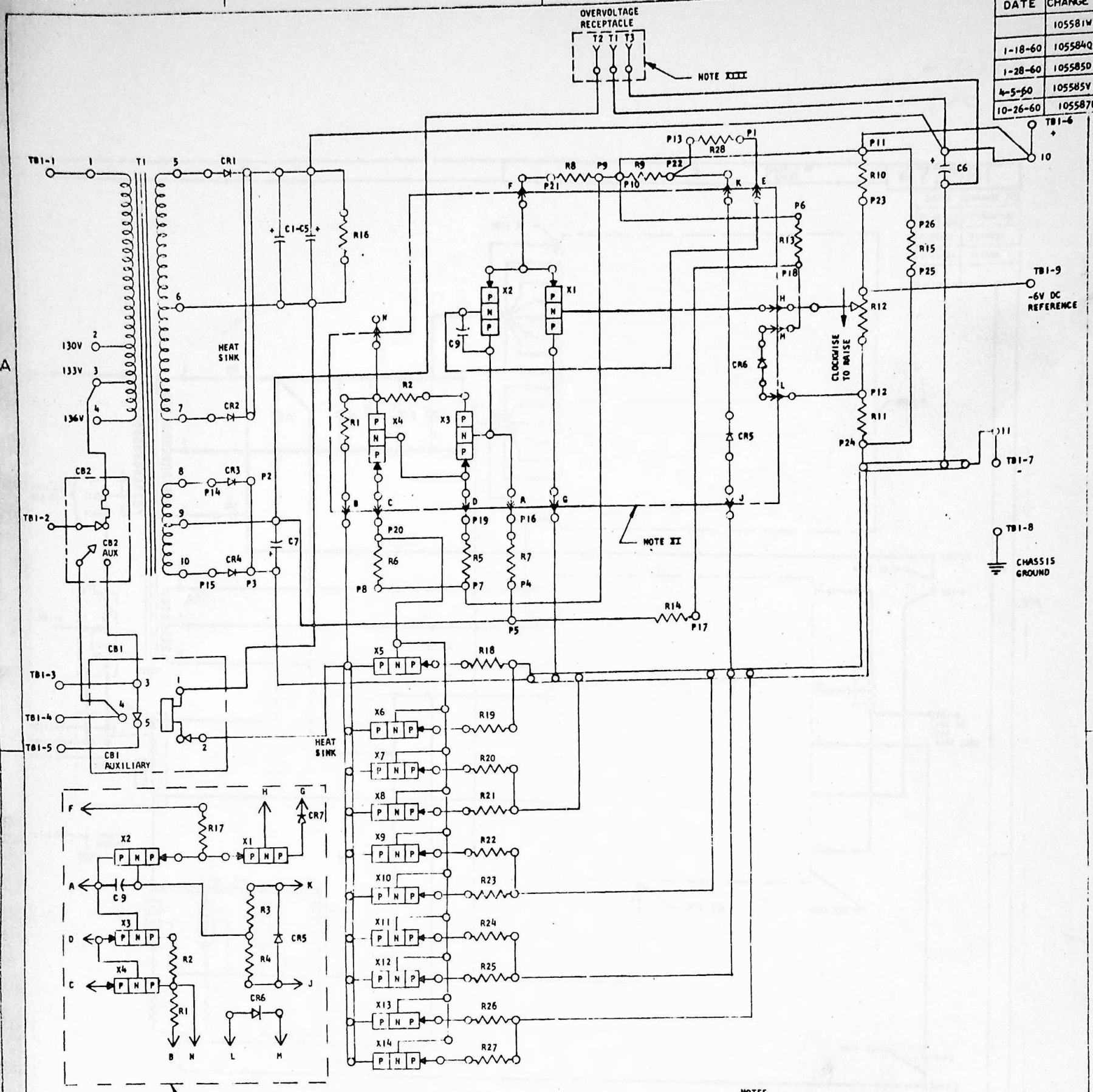
NOTES:

- X ALL WIRE TO BE 20 GA BLACK UNLESS OTHERWISE NOTED.
- XI * INDICATES COMPONENT LOCATED ON COMPONENT CARD ASSEMBLY.
- XII ORDER ONE EACH OF 210846 (POT. SWITCH ASM) AND 27630 (SWITCH) EXCEPT WHEN UNIT IS TO BE AS A PORTABLE.
- XIII REMOVE JUMPER FOR PORTABLE APPLICATION. APPLY JUMPER AS SHOWN IN DOTTED LINE FOR SPECIAL SYSTEM REQUIREMENT

INTERNATIONAL BUSINESS MACHINES CORP

NAME	± 3 VDC @ 5 AMP	
DESIGN	PECOG 24 G0	TYPE
DETAIL	PECOG 24 G0	SCALE
CHECK	R13 2 1-60	DRAW
APPROV	22 G0	CHECK

DATE	CHANGE NO
	105581W
1-18-60	105584Q
1-28-60	105585D
4-5-60	105585V
10-26-60	105587L



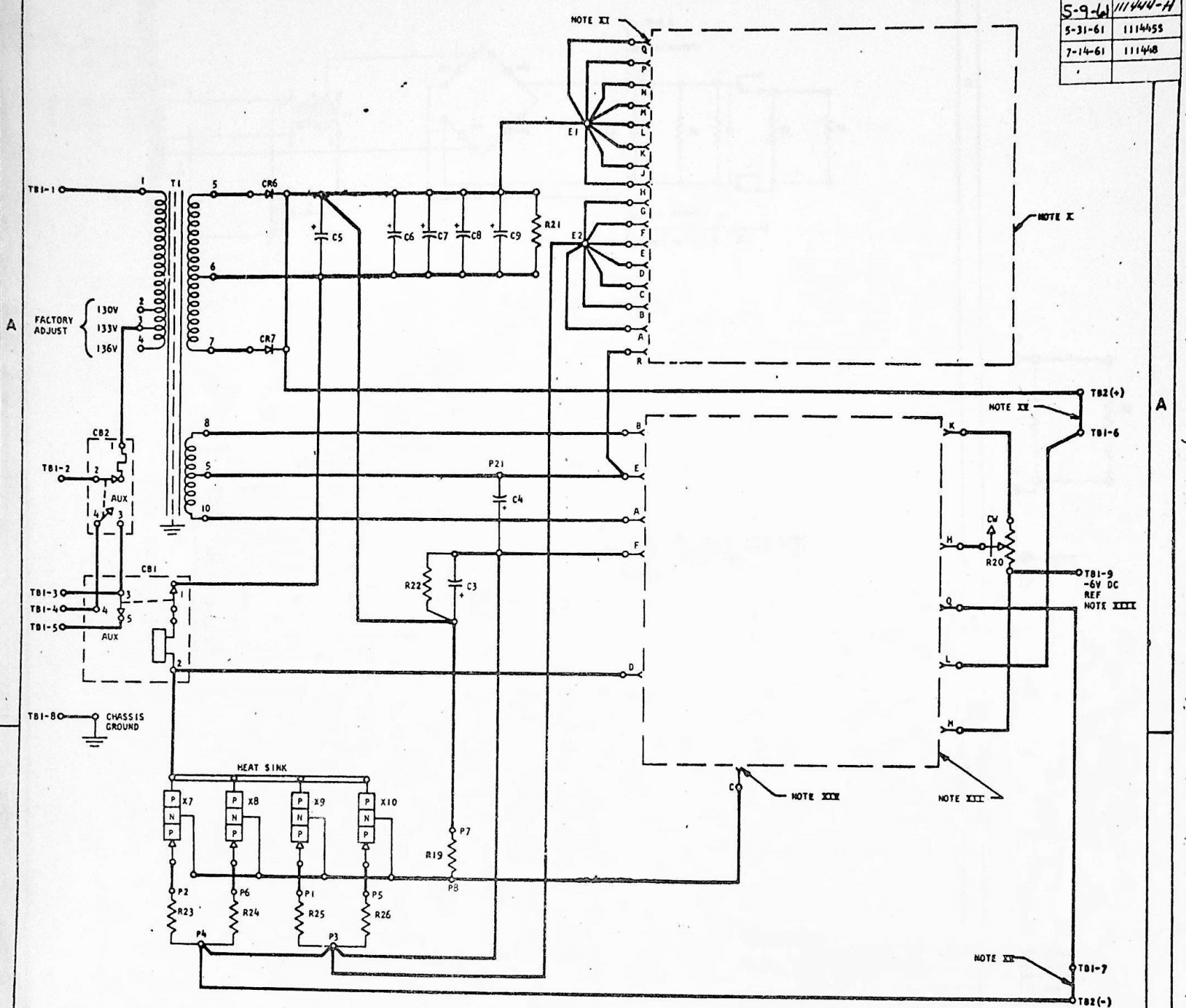
CODE	PART NO	DESCRIPTION	CODE	PART NO	DESCRIPTION
T1	219980	TRANSFORMER	R4*	207228	RESISTOR 2.3K 5W
C1-C5	208221	CAPACITOR 11,000 MFD 19V DC	R5	317276	RESISTOR 1.2K 1/2W
C6	208228	CAPACITOR 5,500 MFD 19V DC	R6	335138	RESISTOR 200 OHM 2W
C7	208229	CAPACITOR 700 MFD 15V DC	R7	317529	RESISTOR 8.2K 1/2W
CR1, CR2	127324	RECTIFIER CELL	R8	213693	RESISTOR 1K 1/2W
CR3, CR4	207316	RECTIFIER CELL	R9	317005	RESISTOR 160 OHM 1/2W
CR5*	209002	DIODE	R10	208986	RESISTOR 325 OHM 5W
CR6*	491300	DIODE TYPE AU	R11	207381	RESISTOR 2K 5W
X1, X2*	535441	TRANSISTOR TYPE 026	R12	207357	POTENTIOMETER 20C OHM 2W
X3*	518689	TRANSISTOR TYPE 028	R13	317012	RESISTOR 510 OHM 1/2W
X4*	207363	TRANSISTOR TYPE 036	R14	300721	RESISTOR 10K 1/2W
X5-X14	209001	TRANSISTOR TYPE	R15	317433	RESISTOR 560 OHM 1W
CB1	208223	CIRCUIT BREAKER	R16	221517	RESISTOR 75 OHM 10W
R1*	207320	RESISTOR 1 OHM 5W	R17*, R28	317019	RESISTOR 2K 1/2W
R2*	207321	RESISTOR 2 OHM 1W	R18-R27	208985	RESISTOR 0.1 OHM 5W
R3*	207326	RESISTOR 1.7K 5W	CB2	220918	CIRCUIT BREAKER
C9*	492411	CAPACITOR 0.01 MFD 100V DC	CR7*	503591	DIODE TYPE F (S)

- NOTES
 I * INDICATES COMPONENTS LOCATED ON COMPONENT CARD ASSEMBLY
 II COMPONENT CARD ASSEMBLY NO. 371656 FOR REFERENCE TO GROUND
 III COMPONENT CARD ASSEMBLY NO. 371655 FOR REFERENCE TO -6V DC
 IIII WHEN THE 12 VOLT OVERVOLTAGE ASSEMBLY NUMBER 208960 IS USED, REFER TO O/V WIRING DIAGRAM NUMBER 208961

INTERNATIONAL BUSINESS MACHINES CORP				
NAME	WIRING DIAGRAM - POWER SUPPLY -			
±12V DC AT 20 AMPS				
DESIGN	PECO	7-15-59	TYPE	MISC
DETAIL	HAY	9-18-59	SCALE	NONE
CHECK	RIB	9-18-59	DRAW	
APPRO			CHECK	

473381
EC 111448

DATE	CHANGE NO.
5-9-61	111444-H
5-31-61	111445S
7-14-61	111448



CODE	PART NO.	DESCRIPTION	CODE	PART NO.	DESCRIPTION
C3	208228	CAPACITOR 5,500MFD 19V DC	R20	207340	POTENTIOMETER 250 OHM 1/2W
C4	208229	CAPACITOR 700 MFD 15V DC	R21	221517	RESISTOR 750 OHM 10W
C5-9	208221	CAPACITOR 11,000 MFD 19V DC	R22	317433	RESISTOR 560 OHM 1W
			R23-26	207324	RESISTOR 0.1 OHM 5W
CB1	208223	CIRCUIT BREAKER			
CB2	220918	CIRCUIT BREAKER			
CR6-7	127324	RECTIFIER CELL	T1	473446	TRANSFORMER
E1-2	2102430	CONNECTOR	TB1		TERMINAL BLOCK
A & B		RECEPTACLE	TB2		TERMINAL BLOCK
R19	335138	RESISTOR 200 OHM 2W	X7-10	36,92,14	TRANSISTOR

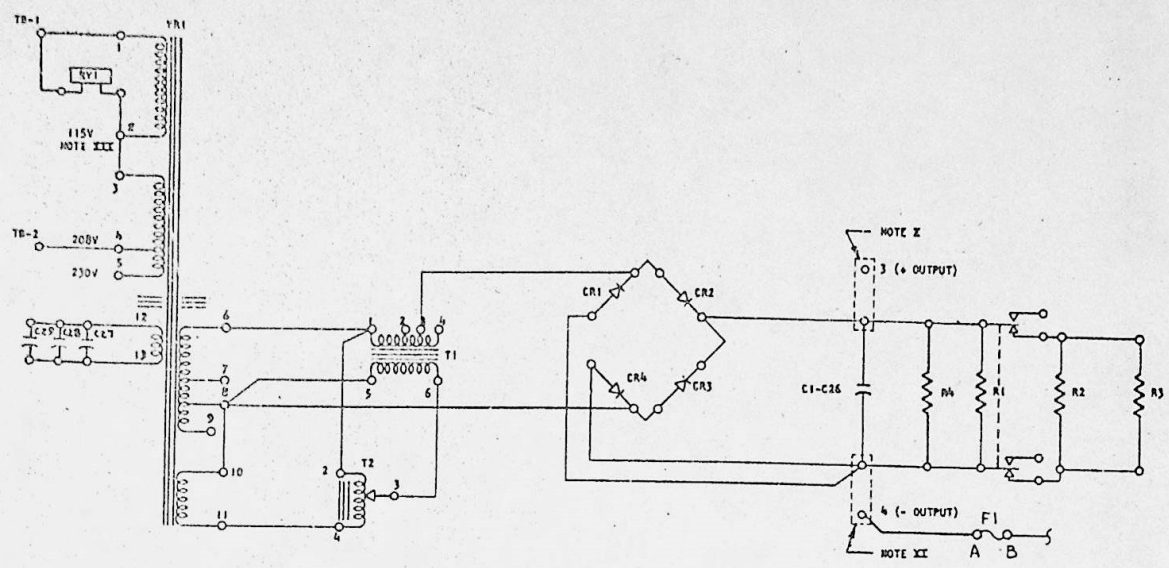
- NOTES
 X OVERVOLTAGE CARD ASSEMBLY 370576
 XI UNIT RECEPTACLE "B"
 XII FOR REFERENCE TO GROUND USE COMPONENT CARD ASSEMBLY 370610
 XIII FOR REFERENCE TO -6V DC, USE COMPONENT CARD ASSEMBLY 370613
 XIV UNIT RECEPTACLE "A"
 XV FOR REMOTE SENSING REMOVE JUMPERS INDICATED AND SENSE BETWEEN TB1-6 AND TB1-7

INTERNATIONAL BUSINESS MACHINES CORP

NAME WIRING DIAGRAM-POWER
 SUPPLY-12V DC AT 20 AMP

DESIGN		TYPE	MISC
DETAIL		SCALE	NONE
CHECK		DRAW	MOE 2-28-61

DATE	CHANGE NO.
10-21-59	1055816
1-14-60	1055858
3-11-60	1055855
7-61	111210
2-4-65	704772



COMPONENT CHART		
CODE	PART NO.	DESCRIPTION
VR1	221342	VOLTAGE REGULATOR
T1	221256	TRANSFORMER, BUCK-BOOST
T2	360310	TRANSFORMER, AUTO
C1-C26	208232	CAPACITOR 3500 MFD 75V DC
CR1-CR4	107361	CAPACITOR 15 MFD 250V AC
CR1-CR4	127324	DIODE
R1, R4	505793	RESISTOR 150 OHM 50W
R2	322732	RESISTOR 50K 50W
R3	200025	RESISTOR 25K 50W
RY1	242618	RELAY
F1	69791	FUSE 10 AMP

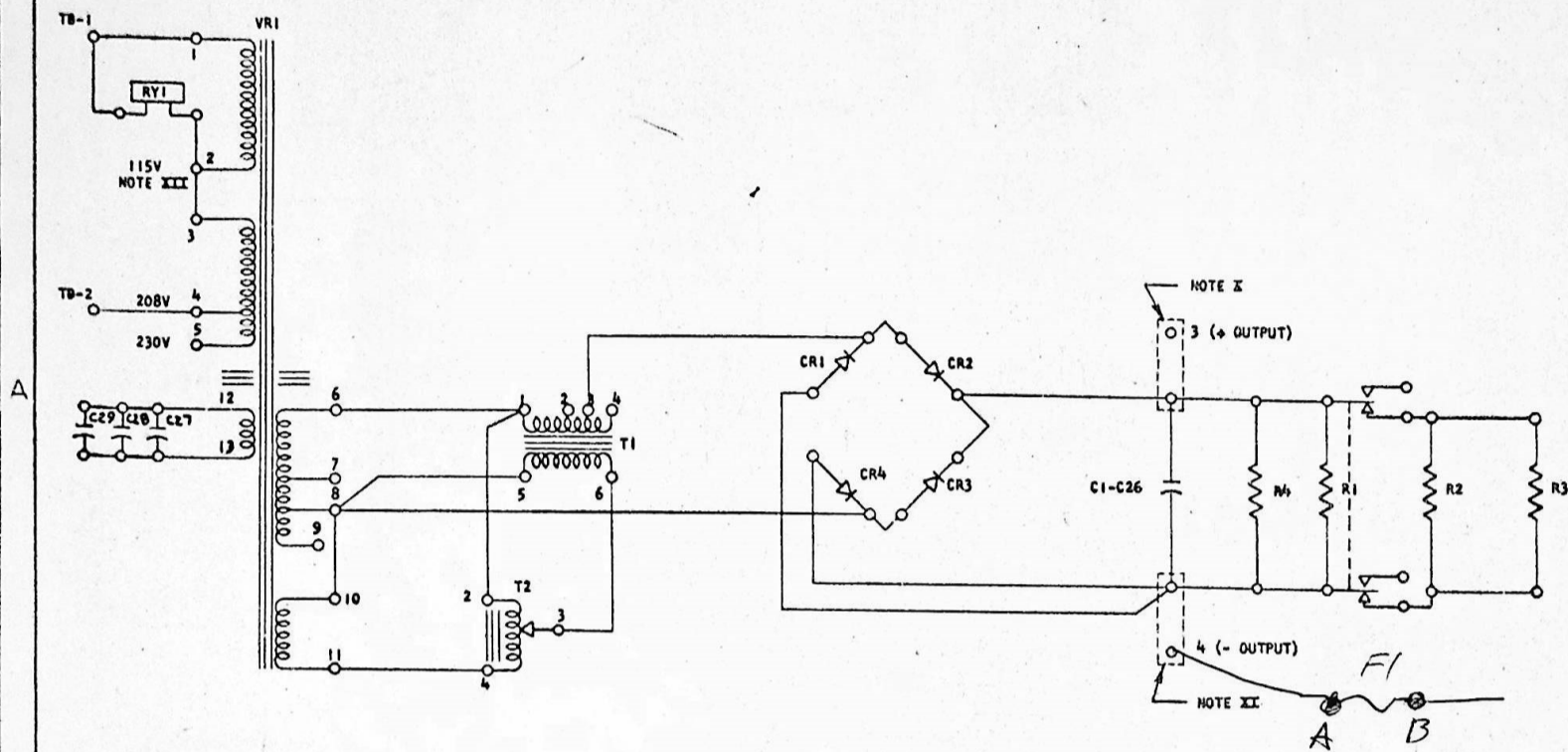
NOTES
 I - CAPACITOR BUS PLATE PART NUMBER 221902
 II - CAPACITOR BUS PLATE PART NUMBER 222011
 III - FOR 115V AC OPERATION CONNECT TAPS 1 TO 3 AND 2 TO 5 AND CONNECT INPUT TO 1 AND 2. REMOVE JUMPER 2 TO 3.

INTERNATIONAL BUSINESS MACHINES CORP.

NAME	WIRING DIAGRAM - POWER SUPPLY -
DESIGN	PECO 2-11-59
DRAWN	ALB 2-11-59
CHECKED	WJS 2-11-59
APPROVED	ALW 10-22-59

DATE	CHANGE NO
10-22-59	1055810
1-14-60	1055858
3-11-60	1055855
2-8-61	111210

704772

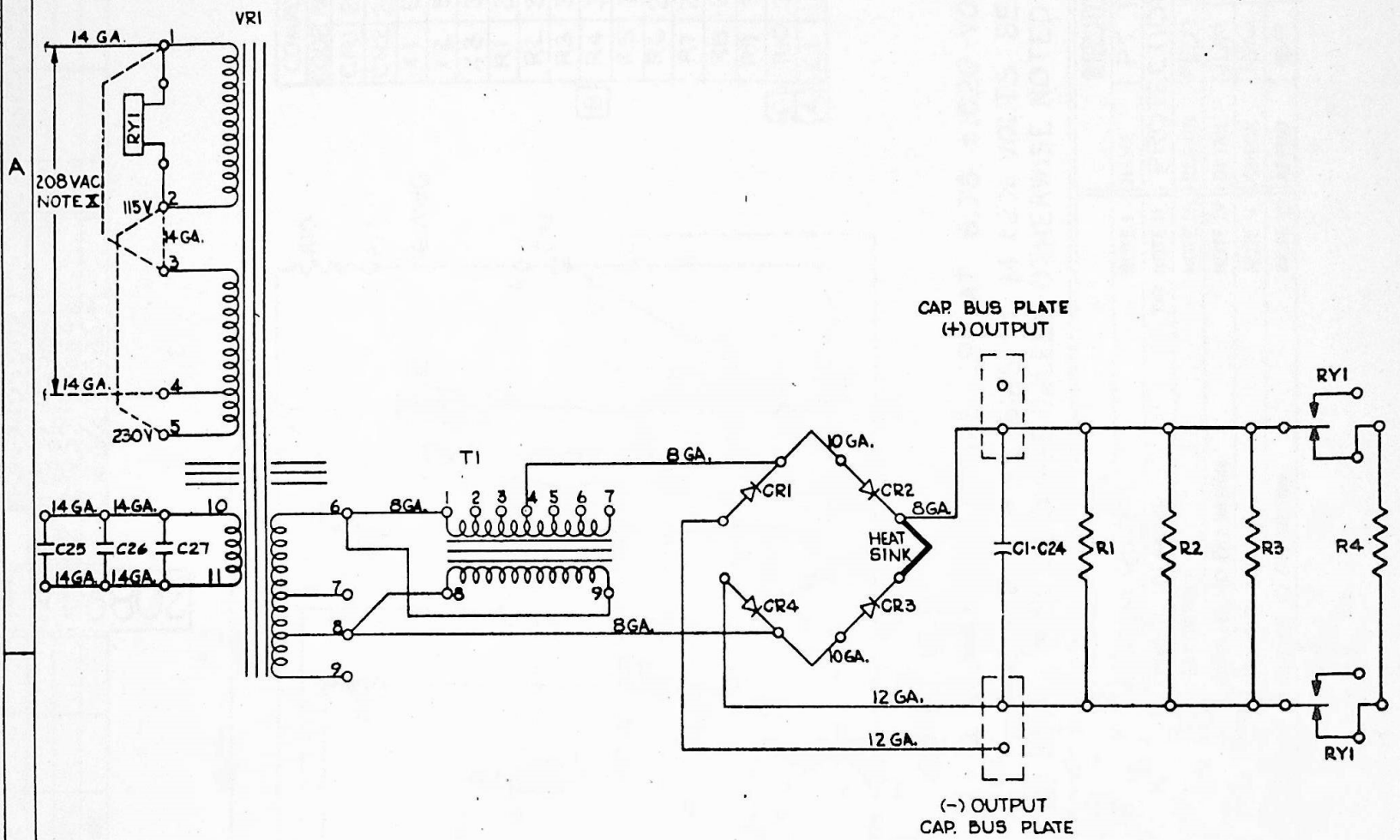


COMPONENT CHART		
CODE	PART NO.	DESCRIPTION
VR1	221342	VOLTAGE REGULATOR
T1	221266	TRANSFORMER, BUCK-BOOST
T2	360310	TRANSFORMER, AUTO
C1-C26	208232	CAPACITOR 3500 MFD 75V DC
C27-C29	207361	CAPACITOR 15 MFD 330V AC
CR1-CR4	127324	DIODE
R1; R4	509798	RESISTOR 150 OHM 50W
R2	322739	RESISTOR 50Ω 50W
R3	208825	RESISTOR 25Ω 50W
RY1	242618	RELAY

NOTES
 I + CAPACITOR BUS PLATE PART NUMBER 221982
 II - CAPACITOR BUS PLATE PART NUMBER 222011
 III FOR 115V AC OPERATION CONNECT TAPS 1 TO 3 AND 2 TO 5 AND CONNECT INPUT TO 1 AND 2. REMOVE JUMPER 2 TO 3.

INTERNATIONAL BUSINESS MACHINES CORP				
NAME WIRING DIAGRAM - POWER SUPPLY -				
60 V DC AT 10 AMPS				
DESIGN	PECO	3-17-59	TYPE	MISC
DETAIL	RLB	9-1-59	SCALE	NONE
CHECK	DPG	9-1-59	DRAW	
APPRO		10-22-59	CHECK	

DATE	CHANGE NO
8-10-60	109296



COMPONENT CHART		
CODE	PART NO.	DESCRIPTION
CI-C24	480749	CAPACITOR 3150MFD 75VDC
C25-C27	208388	" 25 MFD 330VAC
CR1-CR4	127324	DIODE
R1-R3	509798	RESISTOR 150Ω 50W
R4	208825	" 25Ω 50W
RY1	242618	RELAY
T1	480750	TRANS. BUCK-BOOST
VRI	480751	VOLTAGE REGULATOR

NOTES:

⊗ FACTORY WIRED FOR 208V INPUT. FOR 208V OPERATION CONNECT INPUT TO TAPS 1 AND 4. CONNECT TAPS 2 AND 3. FOR 230V INPUT MOVE LEAD FROM TAP 4 TO TAP 5. FOR 115V OPR CONNECT TAPS 1 TO 3 AND 2 TO 5, CONNECT INPUT TO 1 AND 2. REMOVE LEAD BETWEEN TAPS 2 AND 3.

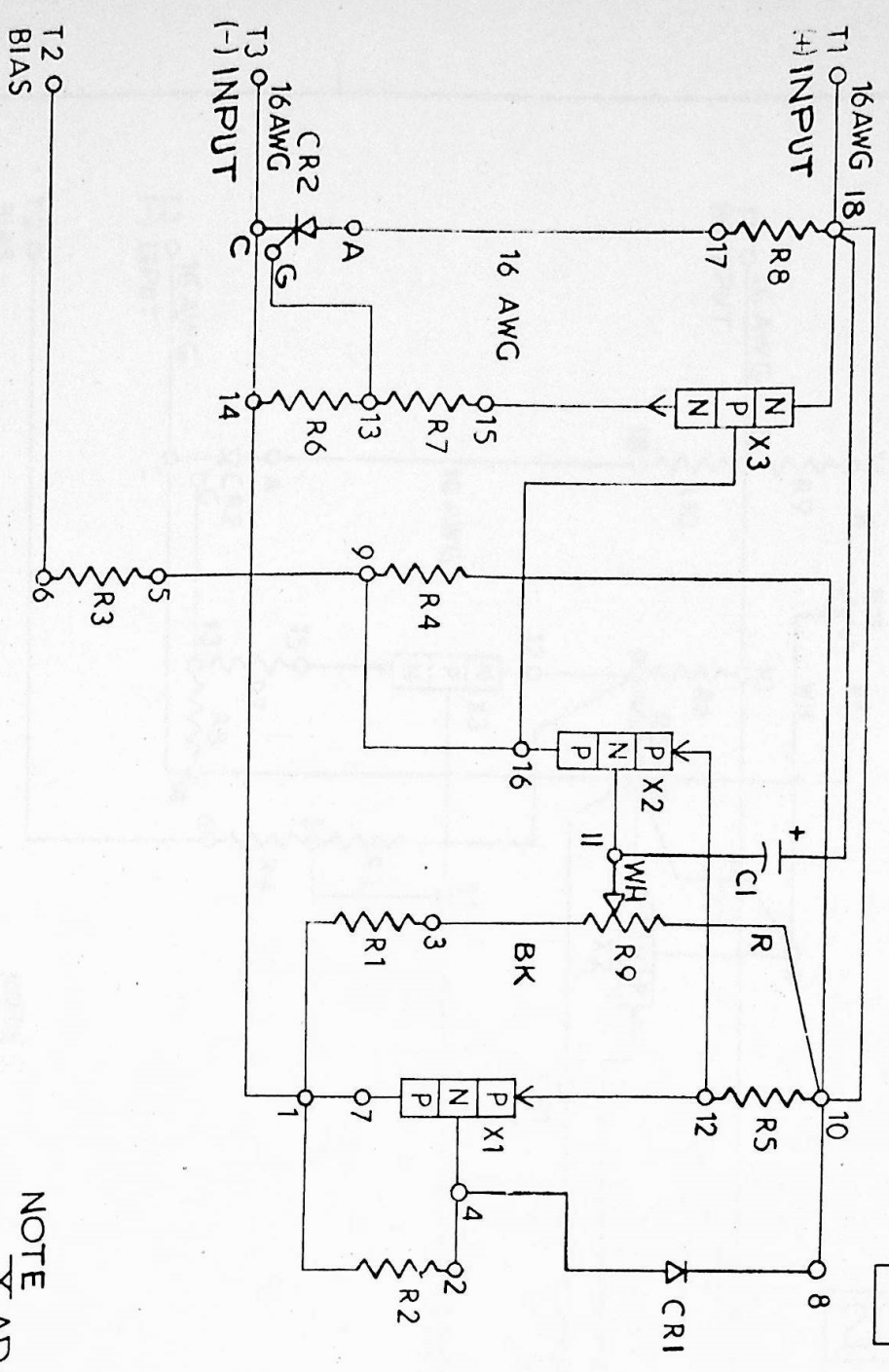
⊗ USE 53449-#18 BLACK STRANDED WIRE FOR ALL CONNECTIONS

INTERNATIONAL BUSINESS MACHINES CORP			
NAME	WIRING DIAGRAM-POWER		
SUPPLY-60 V DC AT 20 AMPS			
DESIGN		TYPE	1401
DETAIL	220 6/8/60	SCALE	NONE
CHECK		DRAW	
APPRO		CHECK	

STANDARDS CODE	NONE	TECH SERVICES APPRO	ELEC
RELEASED FOR ASM	208960	QTY	1
FINISH	PLASTIC		

SYM	DATE	CHANGE NO	TECH APPRO	SYM	DATE	CHANGE NO	TECH APPRO	DEVELOPMENT NO	Q/M
A1	11-18-59	105584L		C1	9-13-60	105587-X		101-489	
B1	12-30-59	105584X						208961B	
	2-16-60	105585H							

208961B



COMPONENT CHART

CODE	PART NO	DESCRIPTION
R1	208951	RESISTOR, 400 Ω, 1W ±1%
R2	317014	680 Ω, 1/2 W
R3	323920	3 K, 1/2 W
R4	317025	6.8 K, 1/2 W
R5	213693	1 K, 1/2 W
R6	317007	220 Ω, 1/2 W
R7	355683	51 Ω, 1W
R8	207324	0.1 Ω, 5W
R9	208952	POTENTIOMETER, 750 Ω, 1W
X1 X2	535441	TRANSISTOR, TYPE 026
X3	369087	086
CR2	208955	CONTROLLED RECTIFIER, C35U
CR1	208950	DIODE, ZENER, IN 429
C1	124575	CAP. 0.22 MFD 35 VDC

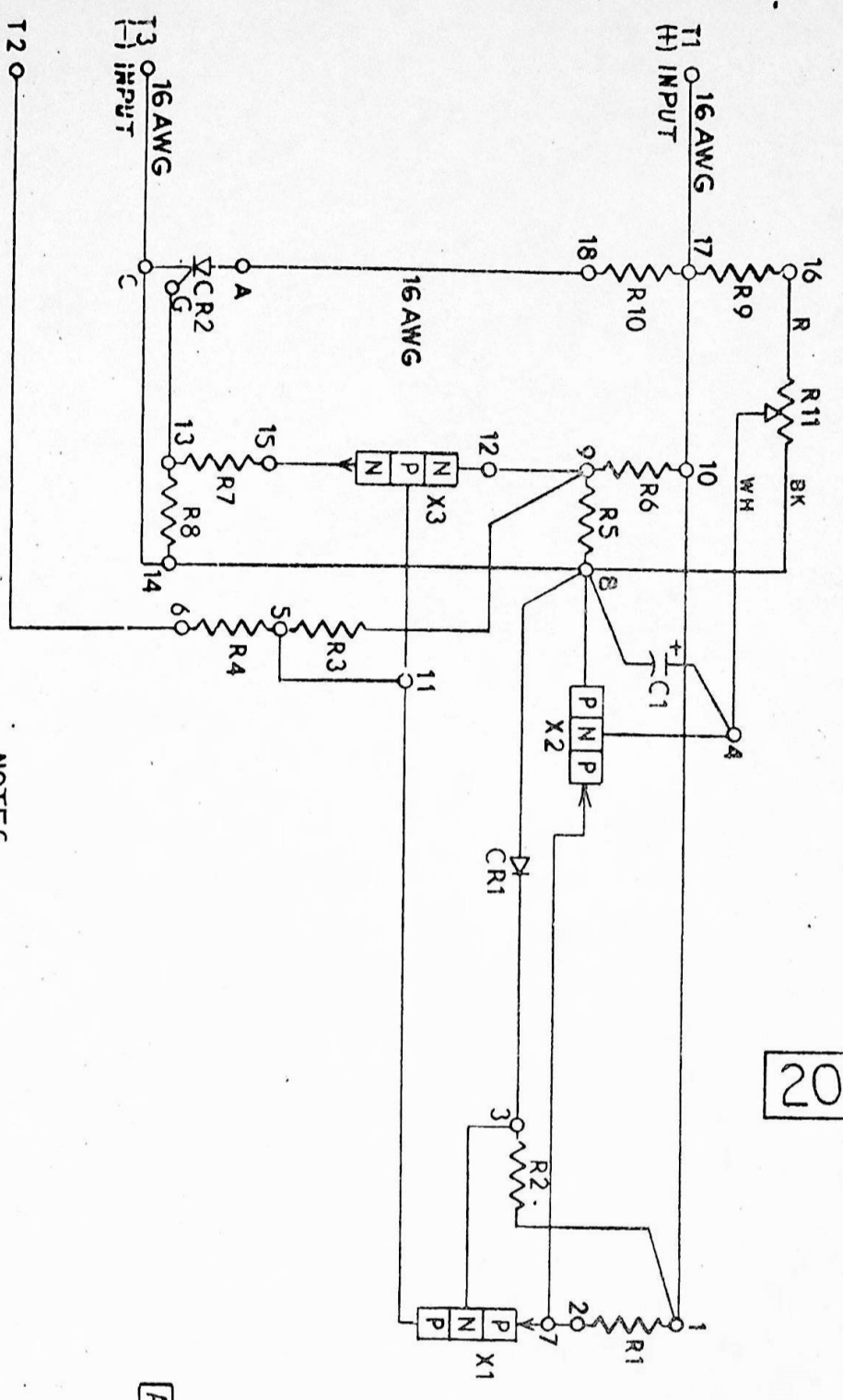
NOTE
 X ADJUST POTENTIOMETER TO FIRE C35U AT 12.96 ±.020 VOLTS INPUT PINS 1 & 3 WITH BIAS OF 12 ±2% VOLTS BETWEEN PINS 2(-) AND 3(+)
 B XI ALL WIRE 22 GAUGE UNLESS OTHERWISE NOTED

IBM MATERIAL	NO	TOLERANCE UNLESS OTHERWISE NOTED	DECIMALS ±	FRACTIONS ±	ANGLES ±	CORNERS AND/OR EDGES BROKEN	RADI UNLESS OTHERWISE NOTED	MUST CONFORM TO ENG SPEC 890350	ALIGNMENT WITHIN	CONC TO DU WITHIN	FLAT WITHIN	PARALLEL TO DU WITHIN	STRAIGHT WITHIN	SQUARE TO DU WITHIN	INTERNATIONAL BUSINESS MACHINES CORP	WIRING DIAGRAM OVERVOLTAGE PROTECTION ±12 VDC POWER SUPPLY	DESIGN	PECO	9 30 59	TYPE	MISC
CASE DEPTH																					
HARDNESS																					
SURFACE TREATMENT																					
B196802																					
B																					

STANDARDS CODE	TECH SERVICES APPRO
NONE	ELEC
RELEASED FOR ASM	MET
208967	PLASTIC
	FINISH

208968A

SYM	DATE	CHANGE NO	TECH APPRO	SYM	DATE	CHANGE NO	TECH APPRO	DEVELOPMENT NO	b/m
	10-29-59	105582D			10-29-59	105582D		101-496	
A1	11-8-59	105584L			11-8-59	105584L			
	12-1-59	105584S			12-1-59	105584S			
B1	12-30-59	105584X			12-30-59	105584X		208968A	



COMPONENT CHART

CODE	PART NO	DESCRIPTION
R1	213549	RESISTOR 4.7 K 1/2 W
R2	317054	" 2.7 K 1 W
R3	317025	" 6.8 K 1/2 W
R4	323920	" 3 K 1/2 W
R5	335138	" 200 Ω 2 W
R6	207328	" 400 Ω 5 W
R7	355683	" 51 Ω 1 W
R8	317007	" 220 Ω 1/2 W
R9	208969	" 2.6 K, 5W, \pm 1%
R10	208970	" 0.5 Ω 5 W
R11	208952	POTENTIOMETER, 750 Ω 1 W
X1, X2	535441	TRANSISTOR, TYPE 025
X3	369087	" " 086
CR2	208975	RECTIFIER, CONTROLLED, C35F
CR1	208950	DIODE ZENER IN 429
C1	124575	CAP. 0.22 MFD 35 VDC

NOTES

I ADJUST R11 TO FIRE CRI AT 32.40 \pm 0.40 VOLTS BETWEEN PINS 1 & 3 WITH BIAS OF 12 \pm 2% VOLTS BETWEEN PINS 2 (-) & 3 (+)

B XI ALL WIRE 22 GAUGE UNLESS OTHERWISE NOTED

IBM MATERIAL	NO	TOLERANCE UNLESS OTHERWISE NOTED	DECIMALS \pm	FRACTIONS \pm	ANGLES \pm	CORNERS AND/OR EDGES BROKEN	MAX	INSIDE	MAX	MUST CONFORM TO ENG SPEC 890350	NOTE I	NAME	MECHANICAL BUSINESS MATHEMATICS EXP
CASE DEPTH						CONC TO DU WITHIN	MAX	PARALLEL TO DU WITHIN	MAX	ALIGNMENT WITHIN	NOTE II	WIRING DIAGRAM - OVERVOLTAGE	
HARDNESS						FLAT WITHIN	MAX	STRAIGHT WITHIN	MAX	CONC TO DU WITHIN	NOTE III	PROTECTION \pm 30 VDC POWER SUPPLY	
SURFACE TREATMENT						PARALLEL TO DU WITHIN	MAX	SQUARE TO DU WITHIN	MAX	TIR NOTE II	NOTE IV	DESIGN	PECO 9-30-59 TYPE
						STRAGHT WITHIN	MAX		MAX	NOTE V	NOTE V	DETAIL	F P B 10-16-59 SCALE
						SQUARE TO DU WITHIN	MAX		MAX	NOTE VI	NOTE VI	CHECK	RCB 10-27-59 DRAW
												APPRO	10-29-59 CHECK

A896802

B

RADI: UNLESS OTHERWISE NOTED

NOTE I

APPRO